



123 NE Beacon Dr.  
Grants Pass, OR 97526

## GLAZED OR OPAQUE WOOD DOORS W / SIDELITES IN SWING / OUT SWING

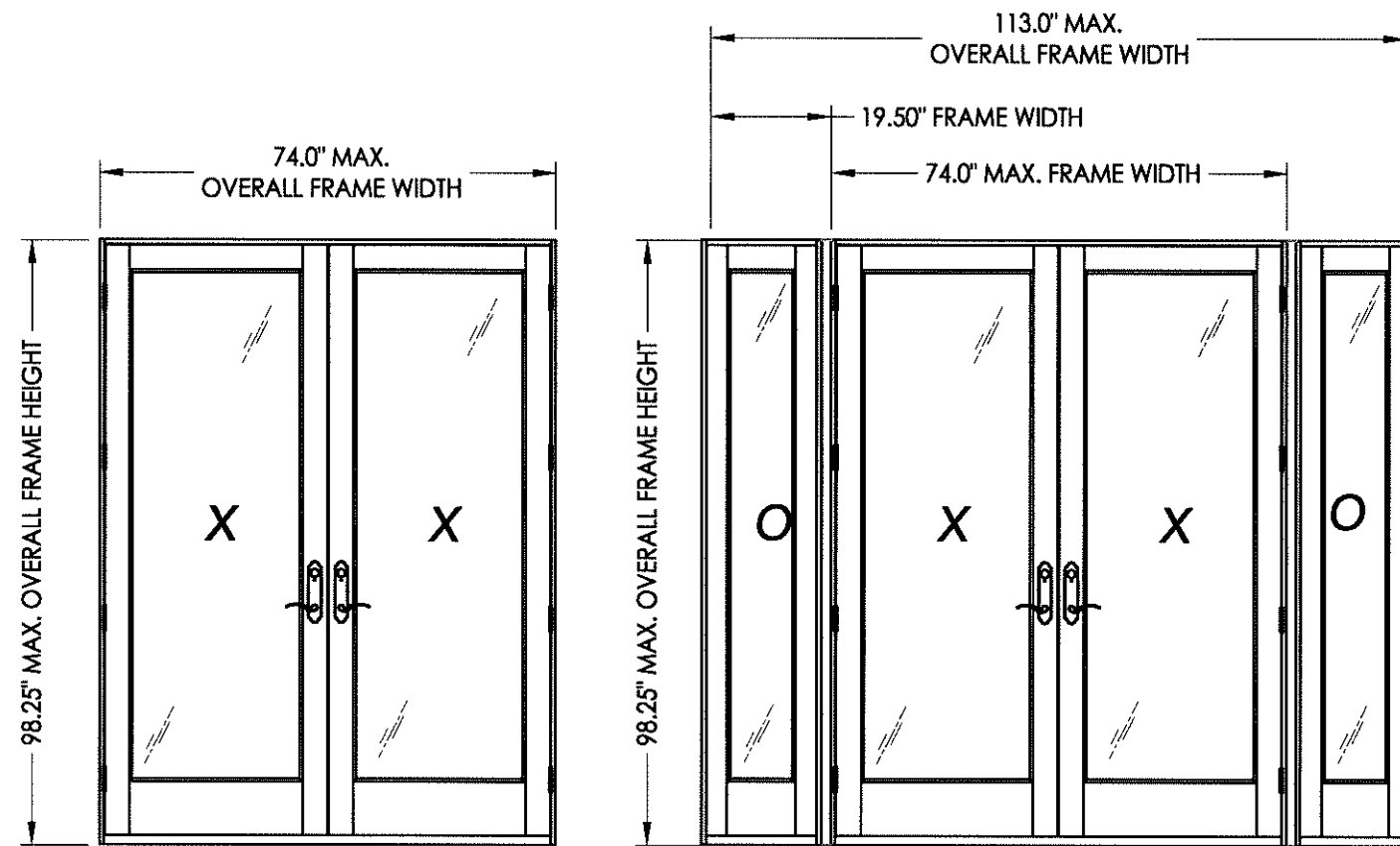
"NON-IMPACT"

### GENERAL NOTES

1. This product has been evaluated and is in compliance with the 2010 Florida Building Code (FBC) structural requirements excluding the "High Velocity Hurricane Zone" (HVHZ).
2. Product anchors shall be as listed and spaced as shown on details. Anchor embedment to base material shall be beyond wall dressing or stucco.
3. When used in areas requiring wind borne debris protection this product is required to be protected with an impact resistant covering that complies with Section 1609.1.2 of the FBC.
4. For 2x stud framing construction, anchoring of these units shall be the same as that shown for 2x buck masonry construction.
5. Site conditions that deviate from the details of this drawing require further engineering analysis by a licensed engineer or registered architect.

### TABLE OF CONTENTS

SHEET#	DESCRIPTION
1	Test elevations, design pressures and general notes
2	Door panel details (opaque)
3	Sidelite panel details (3/4 lite)
4	Door and sidelite panel details (full lite)
5	Horizontal cross sections
6	Horizontal cross sections
7	Vertical cross sections
8	Buck and frame anchoring - (XX)
9	Buck and frame anchoring - (OXXO)
10	Lock details
11	Components
12	Bill of materials, components and glazing detail



DOOR PANEL TYPE	OVERALL FRAME DIMENSION	DOOR MAX. D.L.O. DIMENSION	SIDELITE MAX. D.L.O. DIMENSION	GLASS TYPE	DESIGN PRESSURE (PSF)	
					POSITIVE	NEGATIVE
OPAQUE	113.0" x 98.25"	N/A	10.00" x 82.25"	G1	+30.0	-35.0
FULL LITE	113.0" x 98.25"	27.00" x 82.25"	10.00" x 82.25"		+30.0	-35.0

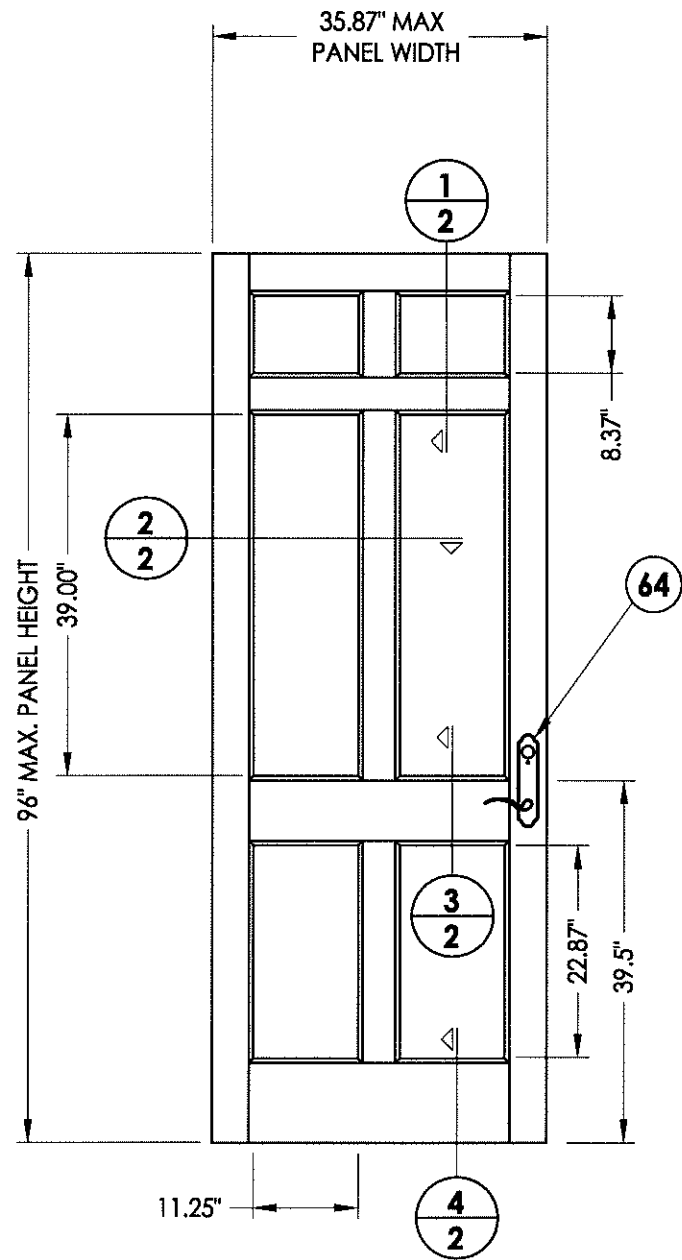
Documents Prepared By:  
**RW** BUILDING CONSULTANTS, INC.  
P.O. Box 230 Valrico FL 33595  
Phone No.: 813.659.9197  
Florida Board of Professional Engineers  
Certificate of Authorization No. 9813  
*LFS 10-25-12*  
Lyndon F. Schmidt, P.E. No. 43409

PRODUCT: ROGUE VALLEY DOOR  
PART OR ASSEMBLY: TYPICAL ELEVATIONS, DESIGN PRESSURES & GENERAL NOTES

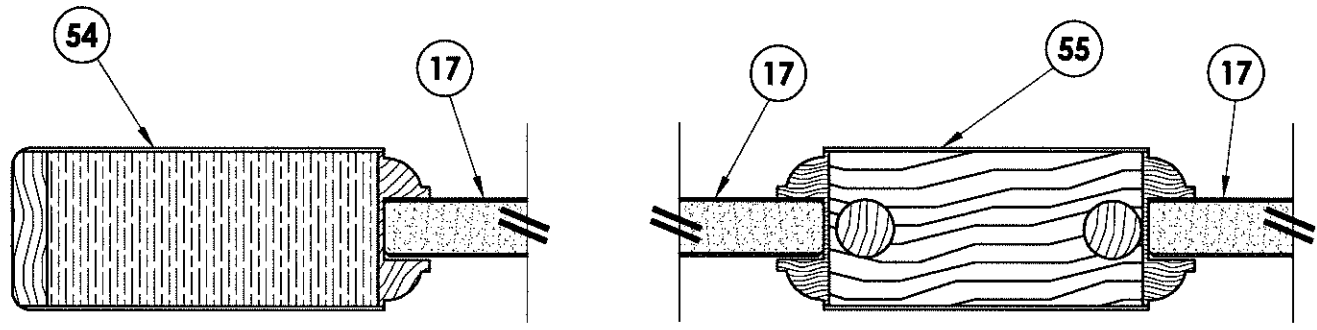
NO.	DATE	REVISIONS
1	10/25/12	UPDATE TO 2010 FBC

DATE: 10/06/09  
SCALE: N.T.S.  
DWG. BY: JK  
CHK. BY: LFS  
DRAWING NO.: FL-13137.3  
SHEET 1 OF 12

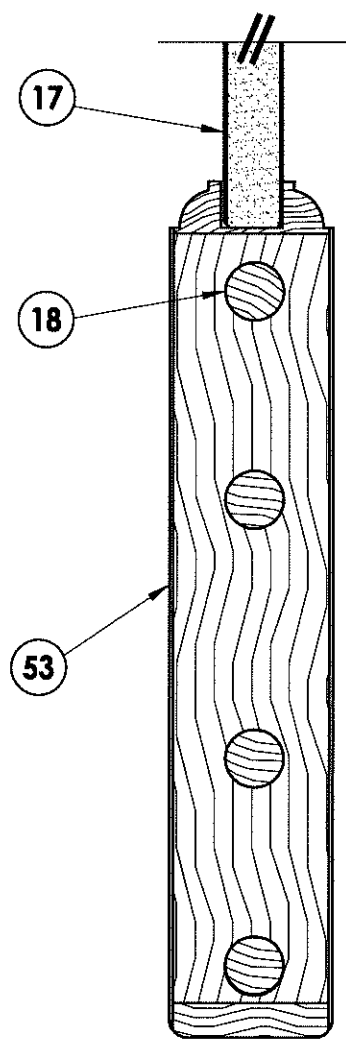
R:\A - Projects\Project Folders\proj 1401-1500\PF 1482\D. RWBC Drawings\FL-13137\FL-13137.dwg, FL-13137.3



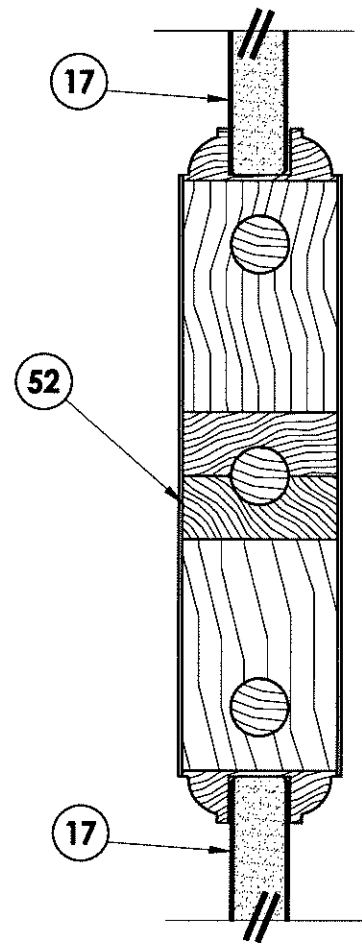
**50** DOOR PANEL  
Opaque 36"



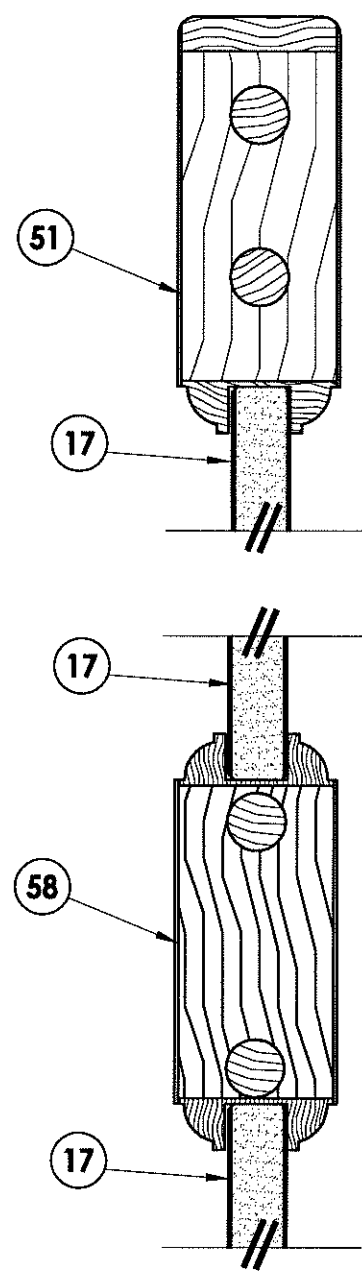
**2** HORIZONTAL CROSS SECTION  
**2**



**4** VERTICAL CROSS SECTION  
**2**

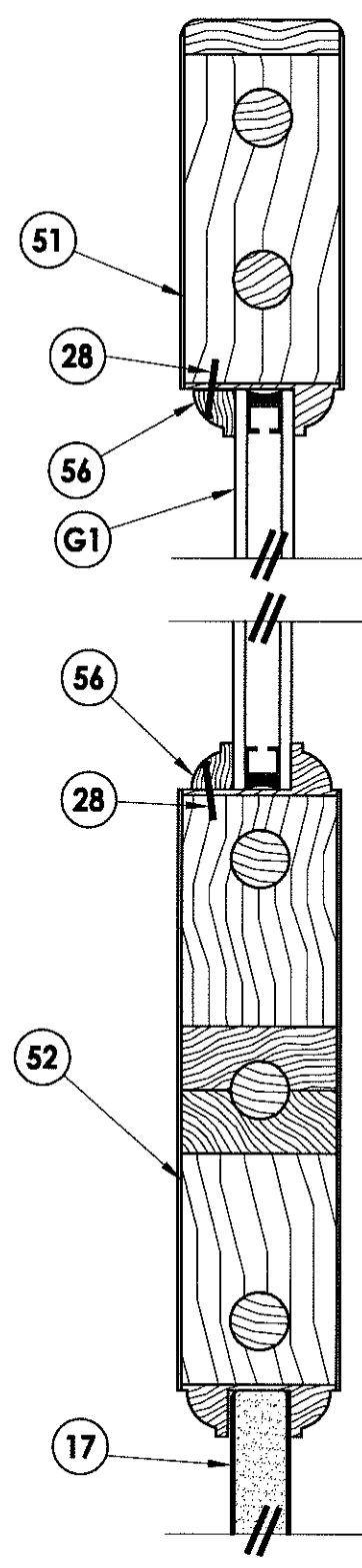
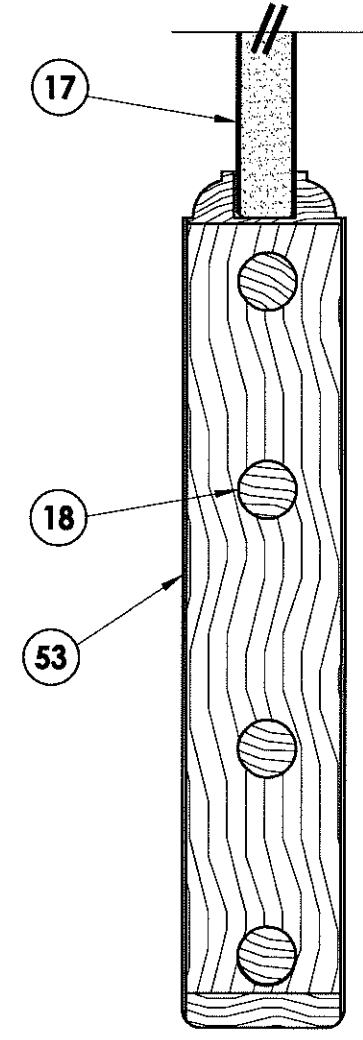
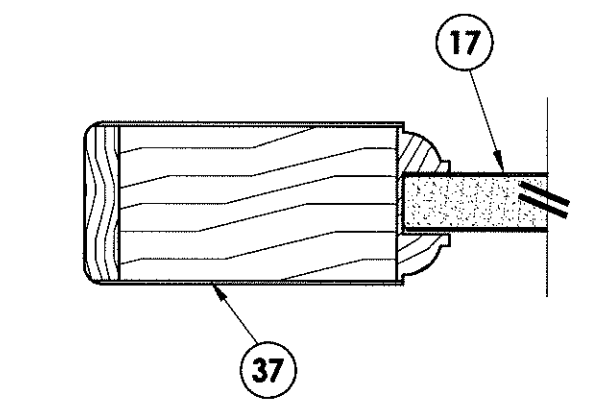
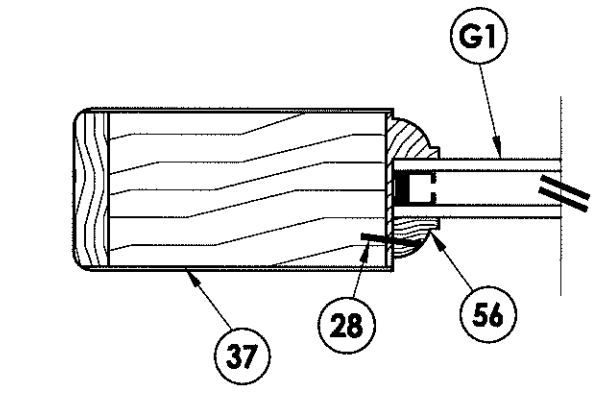
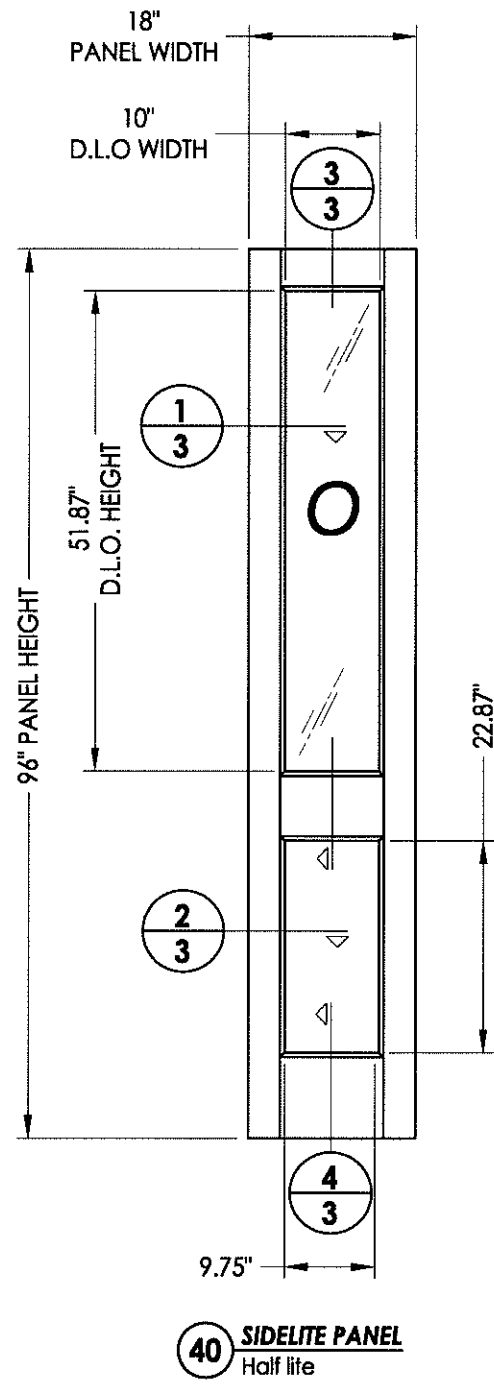


**3** VERTICAL CROSS SECTION  
**2**

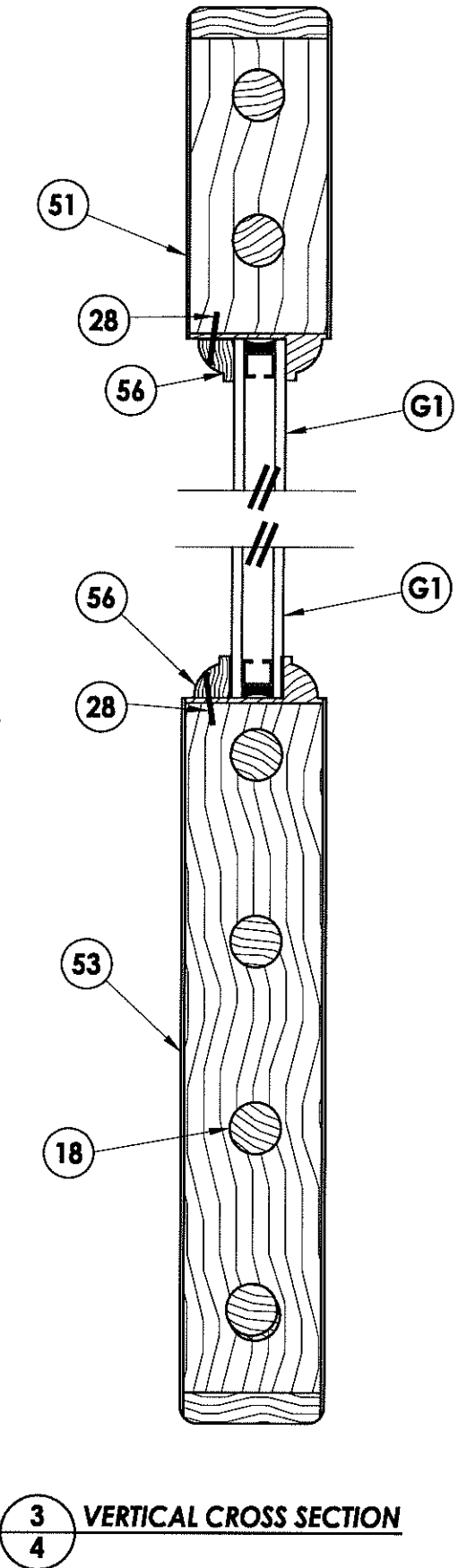
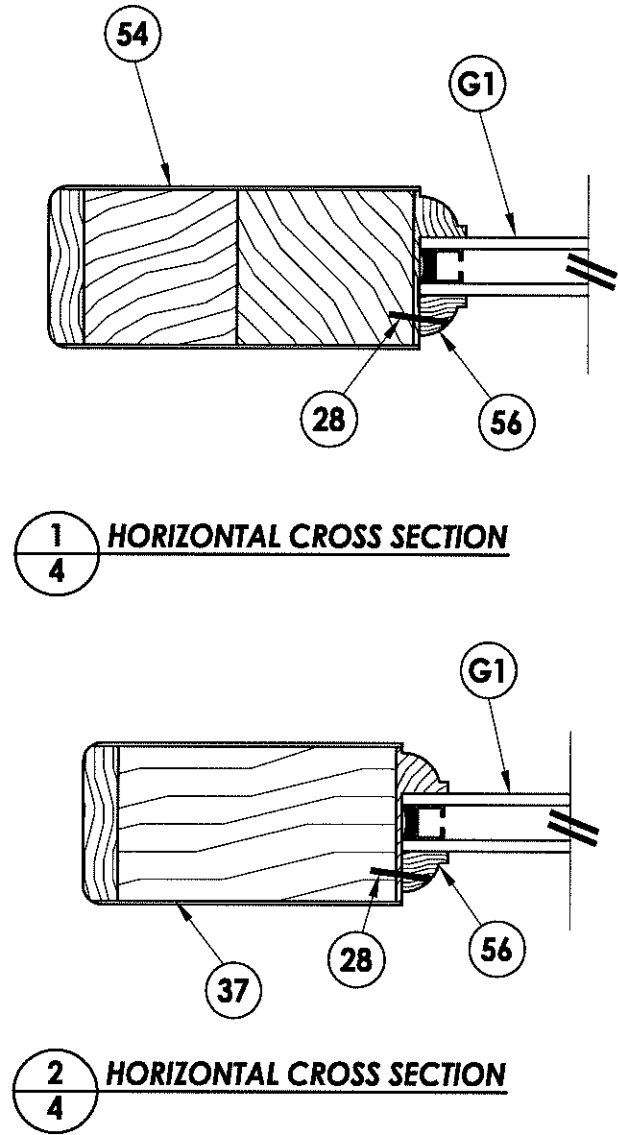
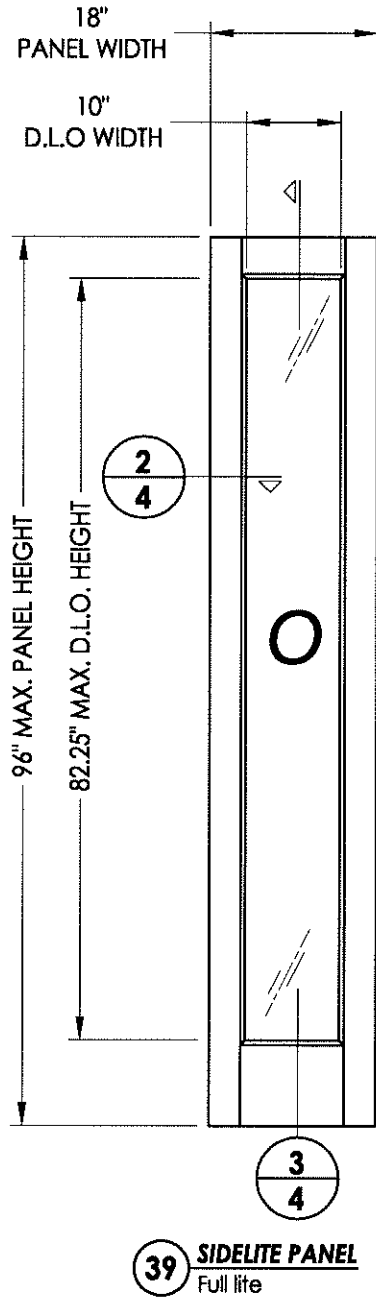
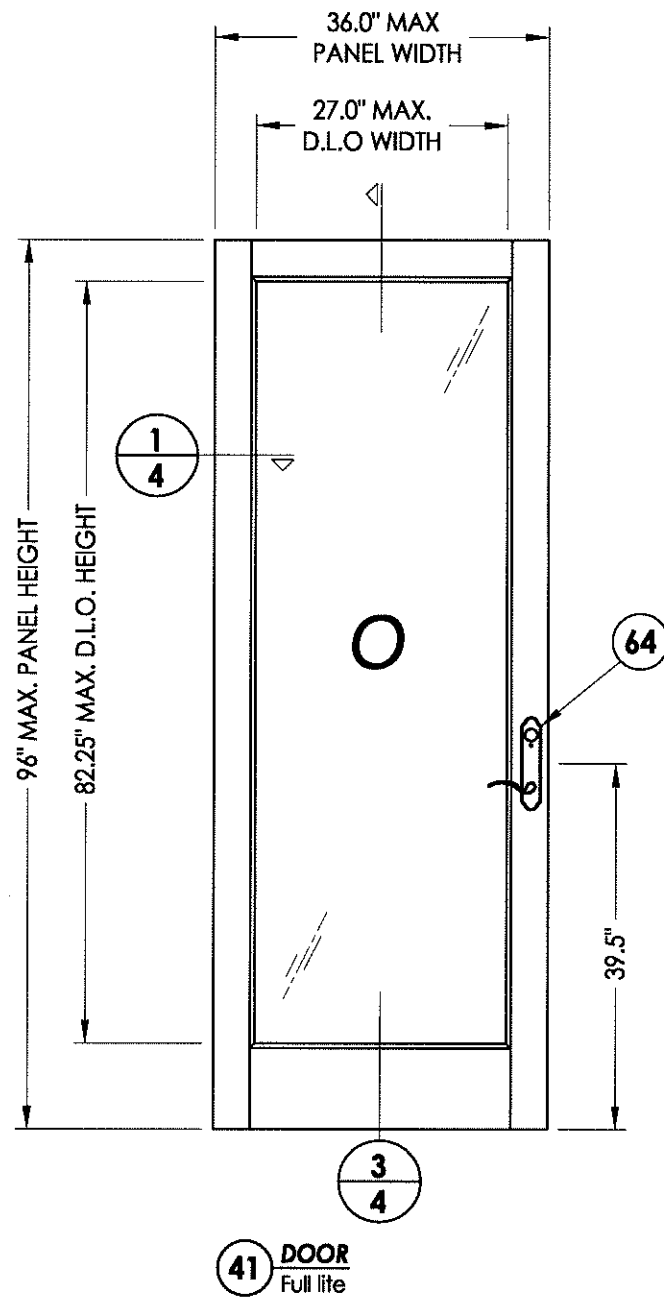


**1** VERTICAL CROSS SECTION  
**2**

Documents Prepared By:		R.W. BUILDING CONSULTANTS, INC. P.O. Box 230 Valrico FL 33595 Phone No.: 813.659.9197 Florida Board of Professional Engineers Certificate Of Authorization No. 9813 <i>LFS</i> 10.25.12 Lyndon F. Schmidt, P.E. No. 43409	
PRODUCT:	ROGUE VALLEY DOOR		
PART OR ASSEMBLY:	DOOR PANEL DETAILS (OPAQUE)		
NO.	DATE	LFS	BY
1	10/25/12	UPDATE TO 2010 FBC	
REVISIONS			
DATE: 10/06/09			
SCALE: N.T.S.			
DWG. BY: JK			
CHK. BY: LFS			
DRAWING NO.: FL-13137.3			
SHEET 2 OF 12			

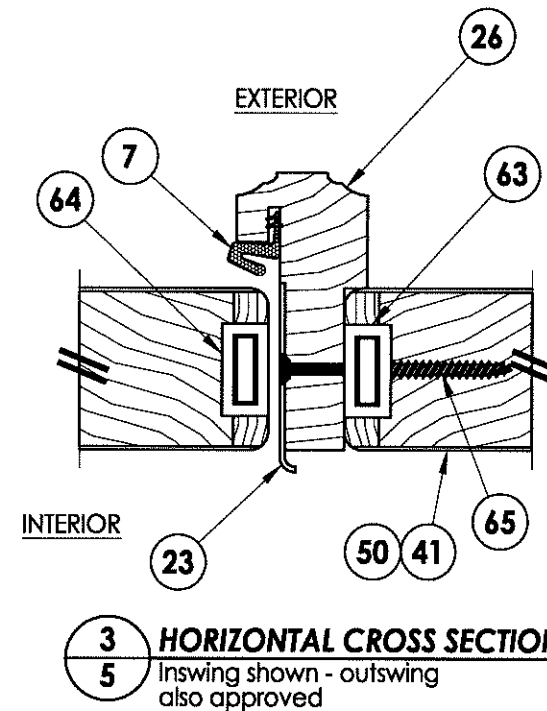
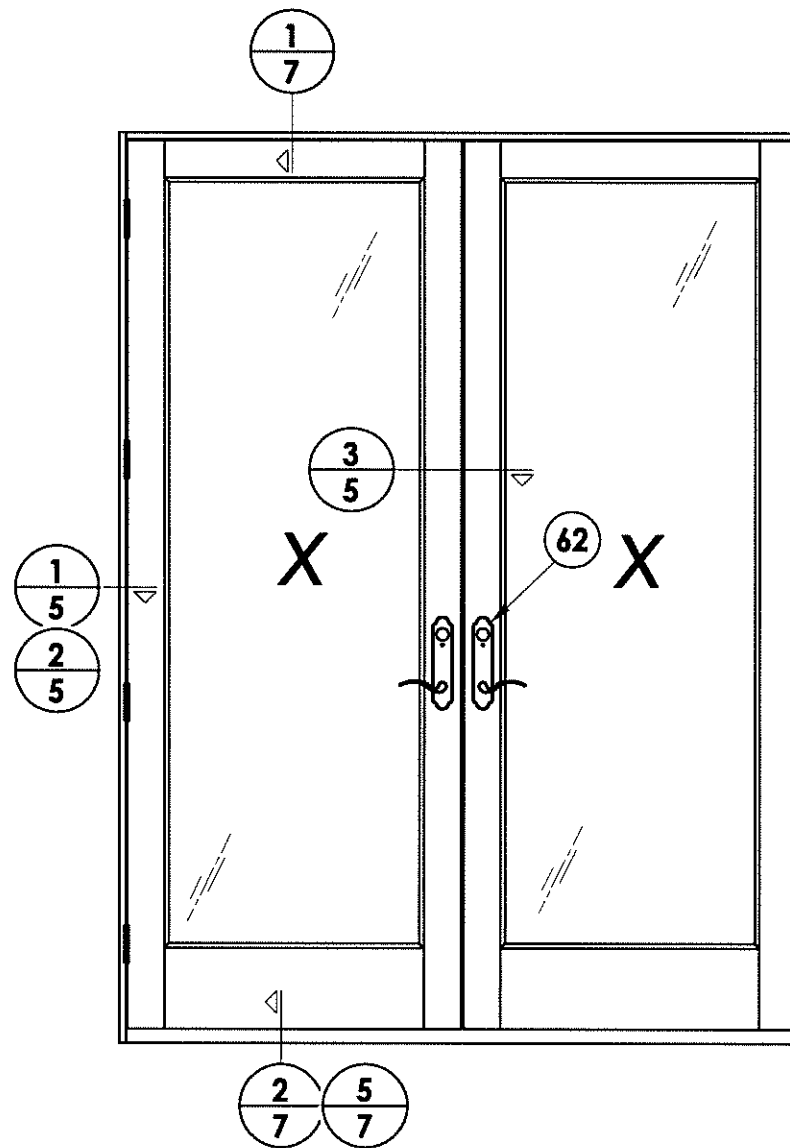
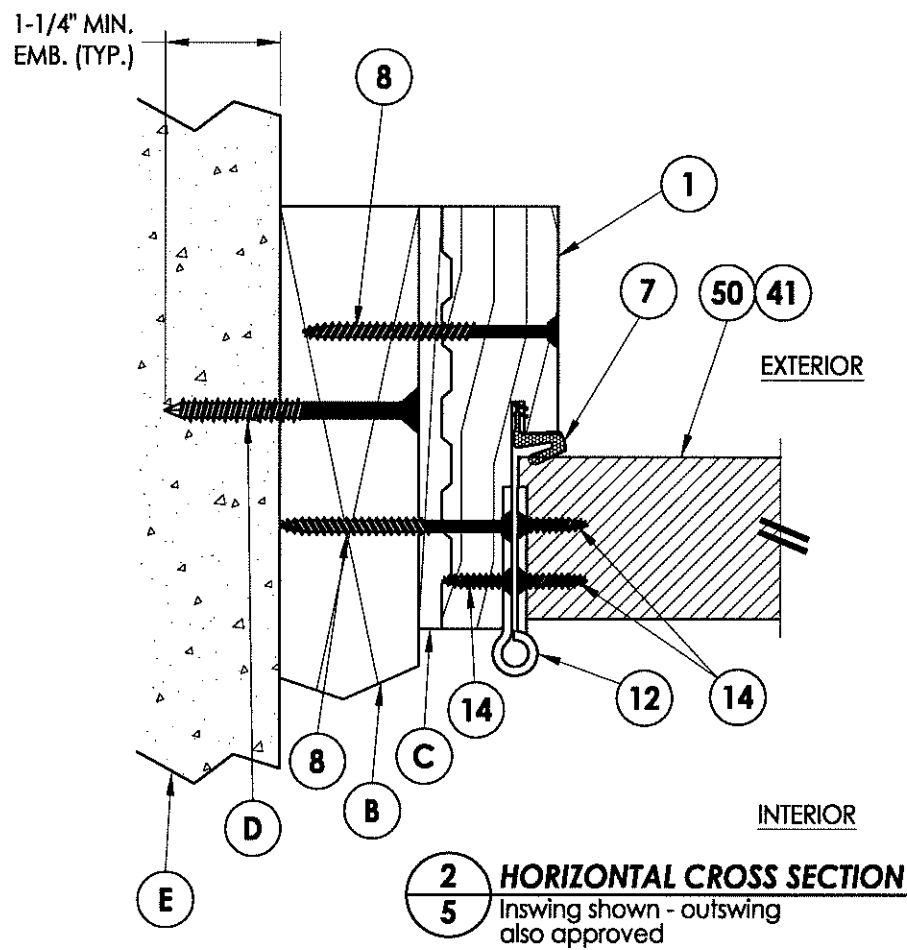
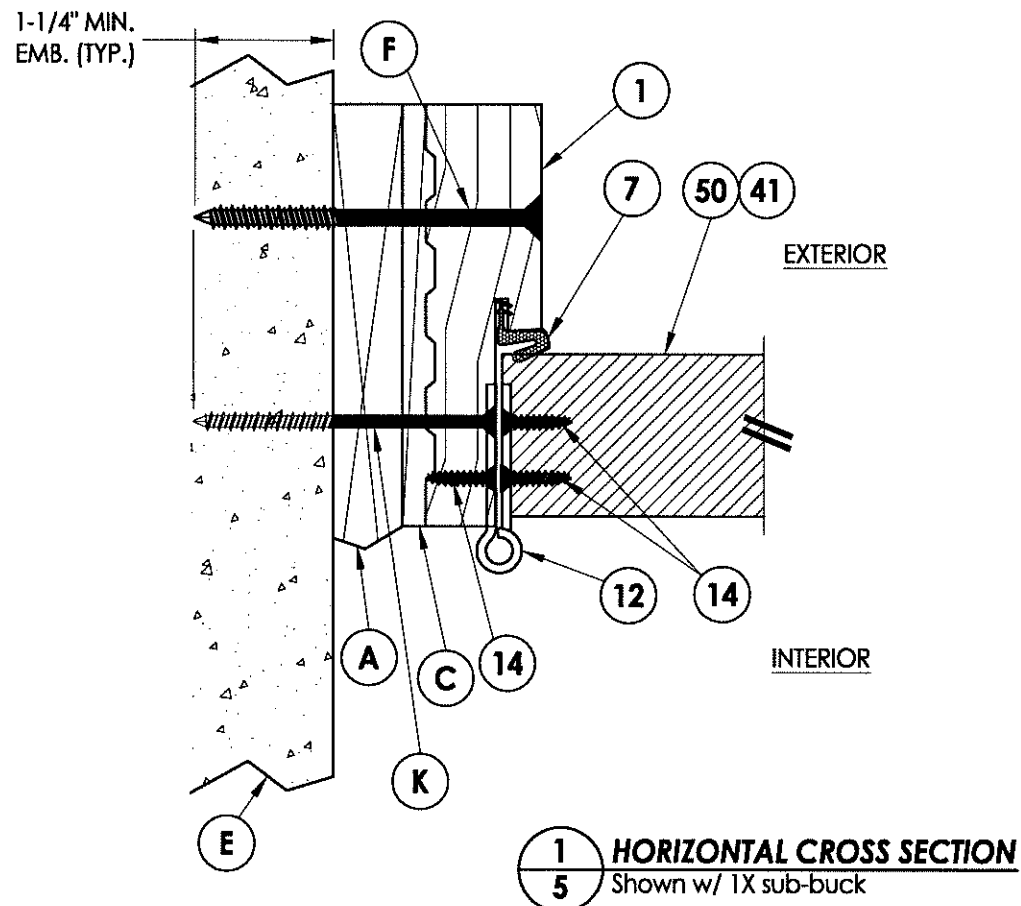


Documents Prepared By: <b>RW</b> BUILDING CONSULTANTS, INC. P.O. Box 230 Valrico FL, 33595 Phone No.: 813.659.9197		Florida Board of Professional Engineers Certificate Of Authorization No. 9813 <i>LFS 10.25.12</i>		Lyndon F. Schmidt, P.E. No. 43409	
PRODUCT:	ROGUE VALLEY DOOR	PART OR ASSEMBLY:	SIDELITE PANEL DETAILS (3/4 LITE)		
NO.	DATE	BY	REVISIONS		
1	10/25/12	LFS	UPDATE TO 2010 FBC		
DATE: 10/06/09		SCALE: N.T.S.			
DWG. BY: JK		CHK. BY: LFS			
DRAWING NO.: FL-13137.3		SHEET 3 of 12			



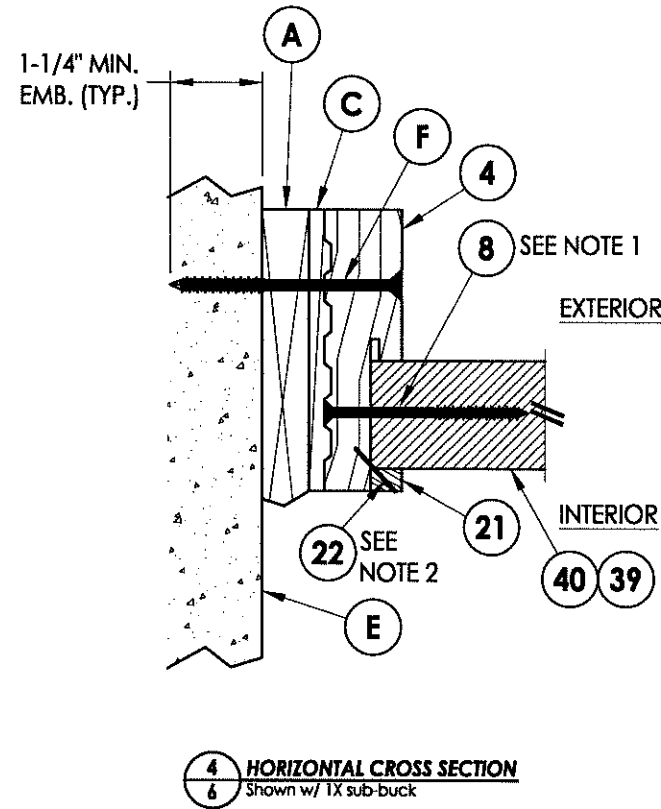
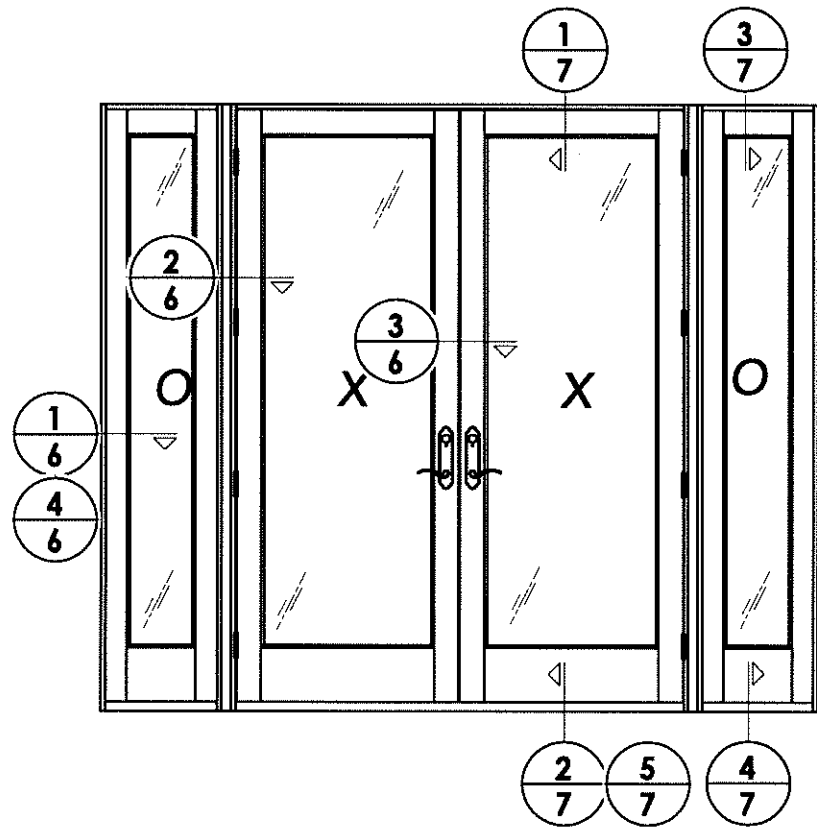
Documents Prepared By:		R.W. BUILDING CONSULTANTS, INC. P.O. Box 230 Valrico FL, 33595 Phone No.: 813.659.9197	
PRODUCT:		ROGUE VALLEY DOOR	
PART OR ASSEMBLY:		DOOR AND SIDELITE PANEL DETAILS (FULL LITE)	
NO.	DATE	BY	REVISIONS
1	10/25/12	LFS	UPDATE TO 2010 FBC
DATE: 10/06/09			
SCALE: N.T.S.			
DWG. BY: JK			
CHK. BY: LFS			
DRAWING NO.: FL-13137.3			
SHEET 4 OF 12			

R:\VA - Projects\Project Folders\proj\_1401-1500\PF 1482\DWG Drawings\FL-13137\FL-13137.dwg, 5.3

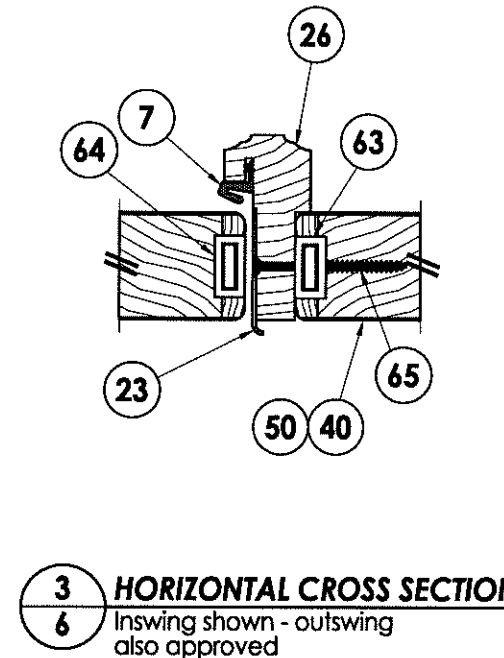
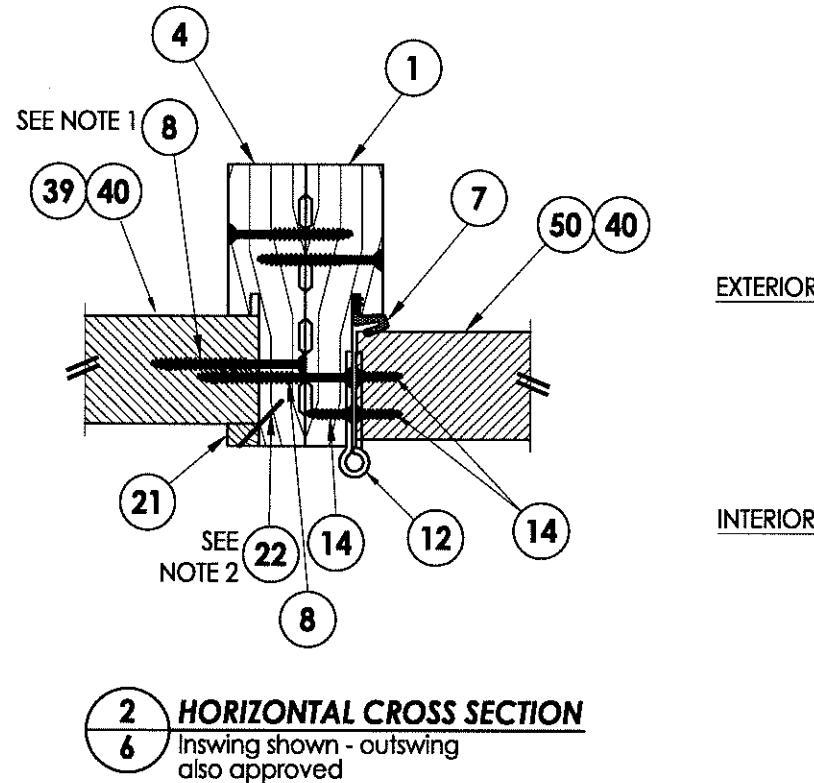
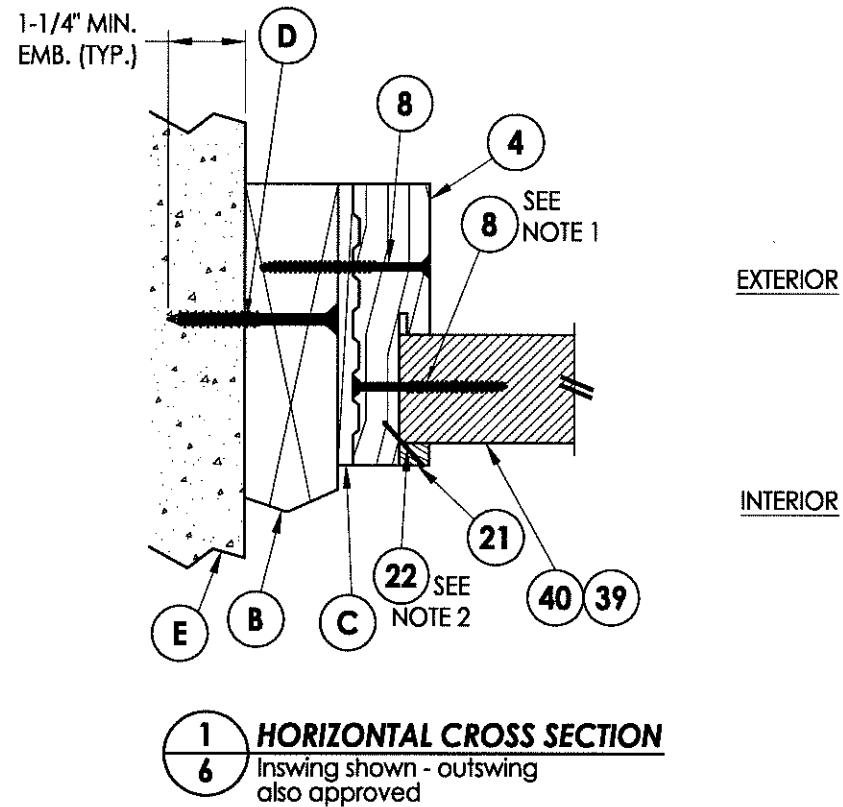


Documents Prepared By:		R.W. BUILDING CONSULTANTS, INC. P.O. Box 230 Vairico FL 33595 Phone No.: 813.659.9197 Florida Board of Professional Engineers Certificate Of Authorization No. 9813 <i>LFS</i> Lyndon F. Schmidt, P.E. No. 43409	
PRODUCT:	ROGUE VALLEY DOOR		
PART OR ASSEMBLY:	HORIZONTAL CROSS SECTIONS		
		LFS	BY
		10/25/12	DATE
		1	NO.
		10/06/09	DATE
		N.T.S.	SCALE
		JK	DWG. BY
		LFS	CHK. BY
		FL-13137.3	DRAWING NO.
		5	SHEET OF 12

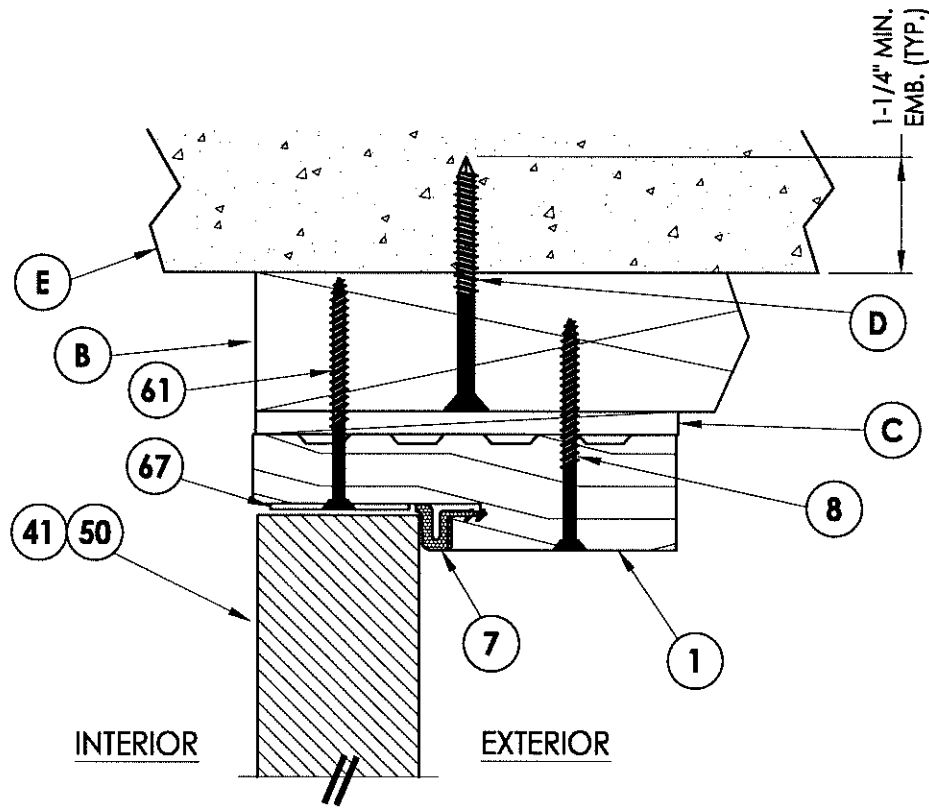
© 2009 R.W. BUILDING CONSULTANTS INC.



- NOTE:
1. Attach sidelite panel to the frame with screws (#10 X 2-1/2" pth) 2" from each end and 6" o.c.
  2. Staples located 1" from each end and 8" o.c. thereafter

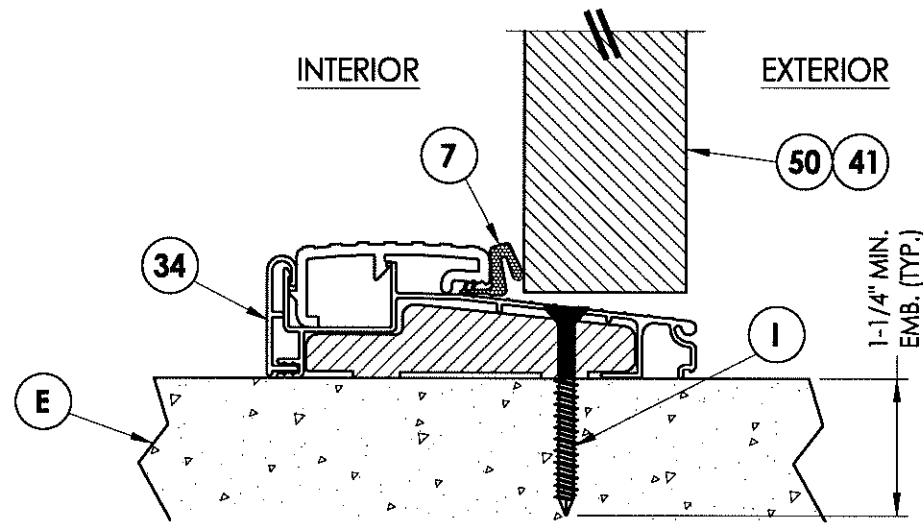


Documents Prepared By:		R.W. BUILDING CONSULTANTS, INC. P.O. Box 230 Vairico FL 33595 Phone No.: 813.659.9197	
PRODUCT:		ROGUE VALLEY DOOR	
PART OR ASSEMBLY:		HORIZONTAL CROSS SECTIONS	
DATE:	10/06/09	NO.	1
SCALE:	N.T.S.	DATE	10/25/12
DWG. BY:	JK	UPDATE TO	2010 FBC
CHK. BY:	LFS	BY	LFS
DRAWING NO.:	FL-13137.3	REVISIONS	
SHEET	6 OF 12		

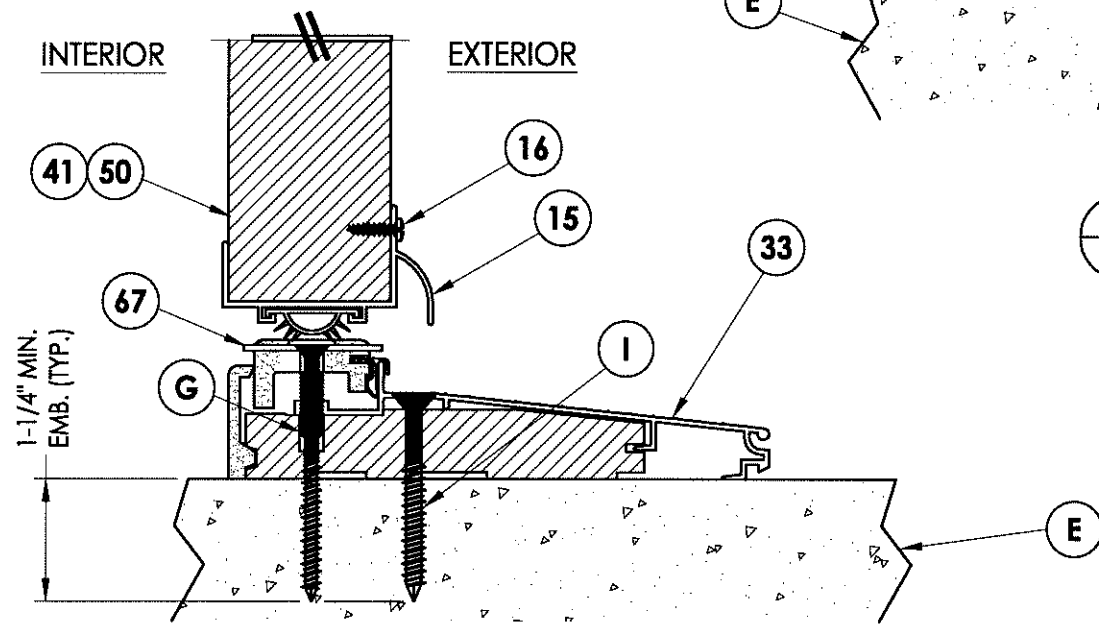


1  
7 VERTICAL CROSS SECTION

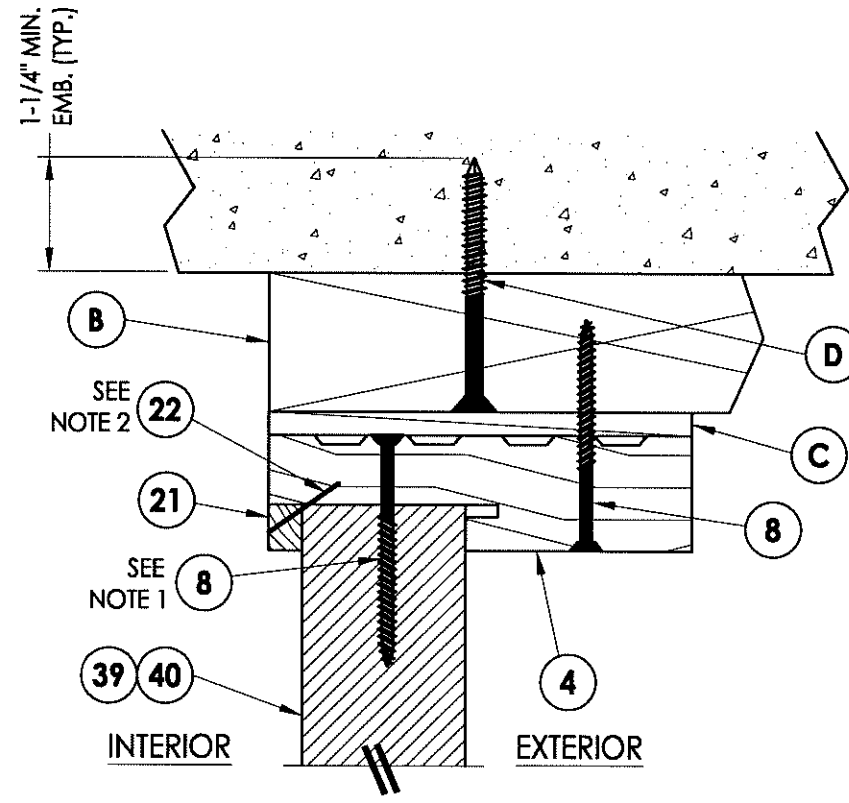
- NOTE:  
 1. Attach sidelite panel to the frame with screws (#10 X 2-1/2" pfh) 2" from each end and 6" o.c.  
 2. Staples located 1" from each end and 8" o.c. thereafter



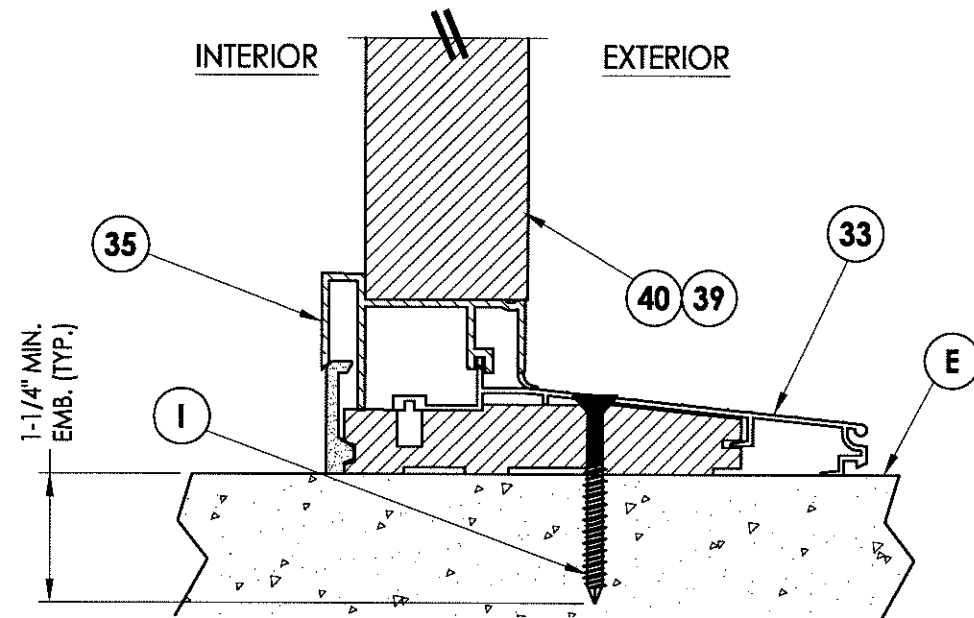
5  
7 VERTICAL CROSS SECTION



2  
7 VERTICAL CROSS SECTION



3  
7 VERTICAL CROSS SECTION



4  
7 VERTICAL CROSS SECTION

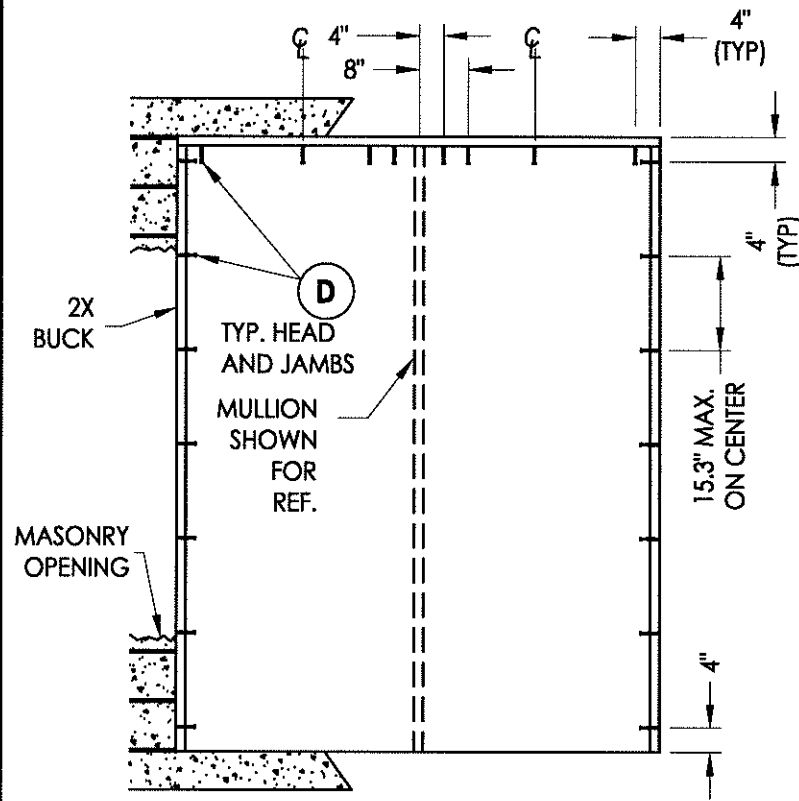
Documents Prepared By:  
**RW** BUILDING CONSULTANTS, INC.  
 P.O. Box 230 Valrico FL, 33585  
 Phone No.: 813.659.9197  
 Florida Board of Professional Engineers  
 Certificate Of Authorization No. 9813  
 Lyndon F. Schmidt, P.E. No. 43409

PRODUCT: ROGUE VALLEY DOOR  
 PART OR ASSEMBLY: VERTICAL CROSS SECTIONS

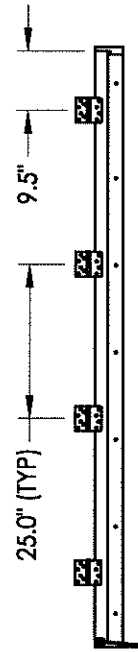
NO.	DATE	REVISIONS	BY
1	10/25/12	UPDATE TO 2010 FBC	LFS

DATE: 10/06/09  
 SCALE: N.T.S.  
 DWG. BY: JK  
 CHK. BY: LFS  
 DRAWING NO.: FL-13137.3  
 SHEET 7 OF 12

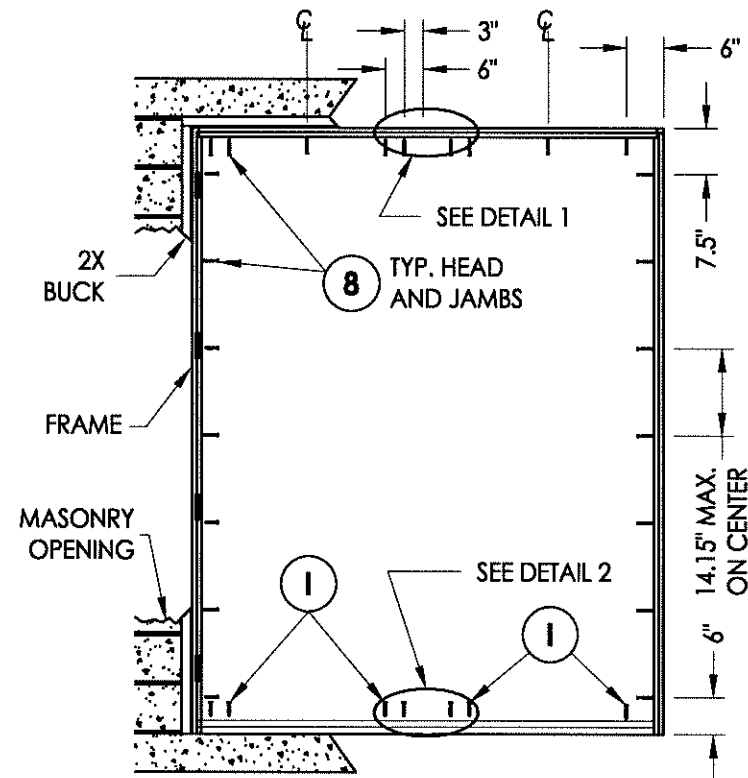
© 2009 R.W. BUILDING CONSULTANTS INC.



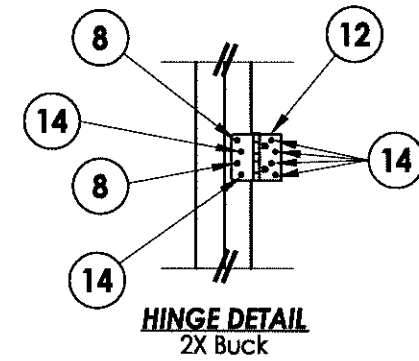
**BUCK ANCHORING**



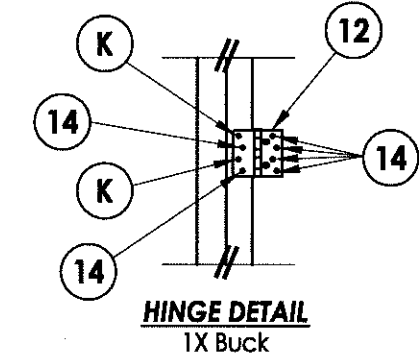
**HINGE JAMB**



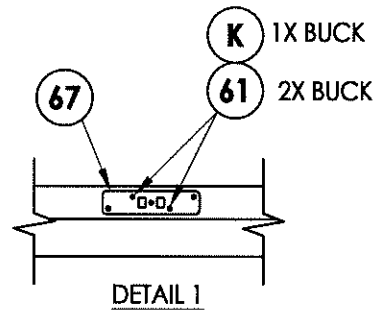
**FRAME ANCHORING**  
Masonry construction  
2X buck



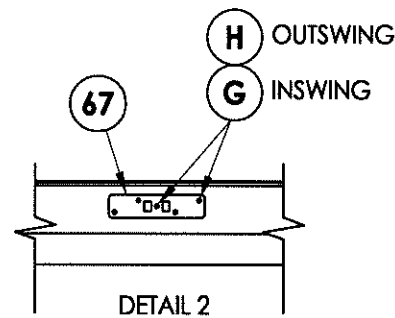
**HINGE DETAIL**  
2X Buck



**HINGE DETAIL**  
1X Buck



**DETAIL 1**

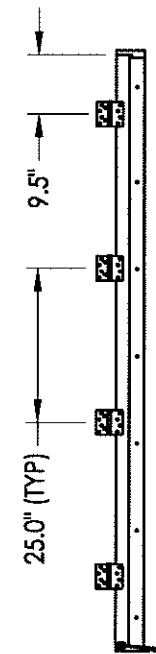


**DETAIL 2**

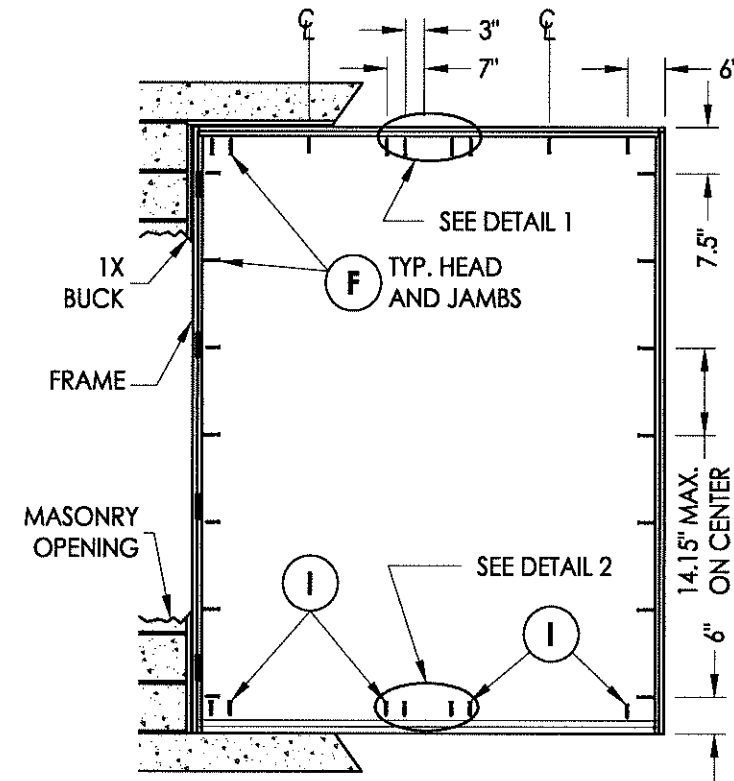
**CONCRETE ANCHOR NOTES:**

1. Substitution of equal concrete anchors from a different supplier may have different edge distance and center distance requirements.
2. Concrete anchor locations at the corners may be adjusted to maintain the min. edge distance to mortar joints. If concrete anchor locations noted as "MAX. ON CENTER" must be adjusted to maintain the min. edge distance to mortar joints, additional concrete anchors may be required to ensure the "MAX. ON CENTER" dimensions are not exceeded.
3. Concrete anchor table:

ANCHOR TYPE	ANCHOR SIZE	MIN. EMBEDMENT	MIN. CLEARANCE TO MASONRY EDGE	MIN. CLEARANCE TO ADJACENT ANCHOR
ITW	1/4"	1-1/4"	2-1/2"	3"
ELCO	1/4"	1-1/4"	1"	4"
ITW	3/16"	1-1/4"	2-5/8"	2-1/4"



**HINGE JAMB**



**FRAME ANCHORING**  
Masonry construction  
1X buck

PRODUCT:  
ROGUE VALLEY DOOR

PART OR ASSEMBLY:  
BUCK AND FRAME ANCHORING  
(XX)

NO.	DATE	BY	REVISIONS
1	10/25/12	LFS	UPDATE TO 2010 FBC

DATE: 10/06/09

SCALE: N.T.S.

DWG. BY: JK

CHK. BY: LFS

DRAWING NO.:  
FL-13137.3

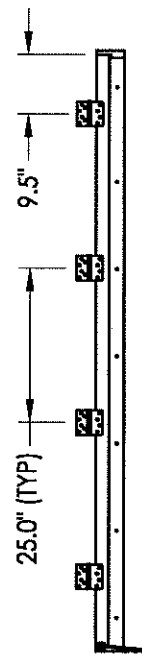
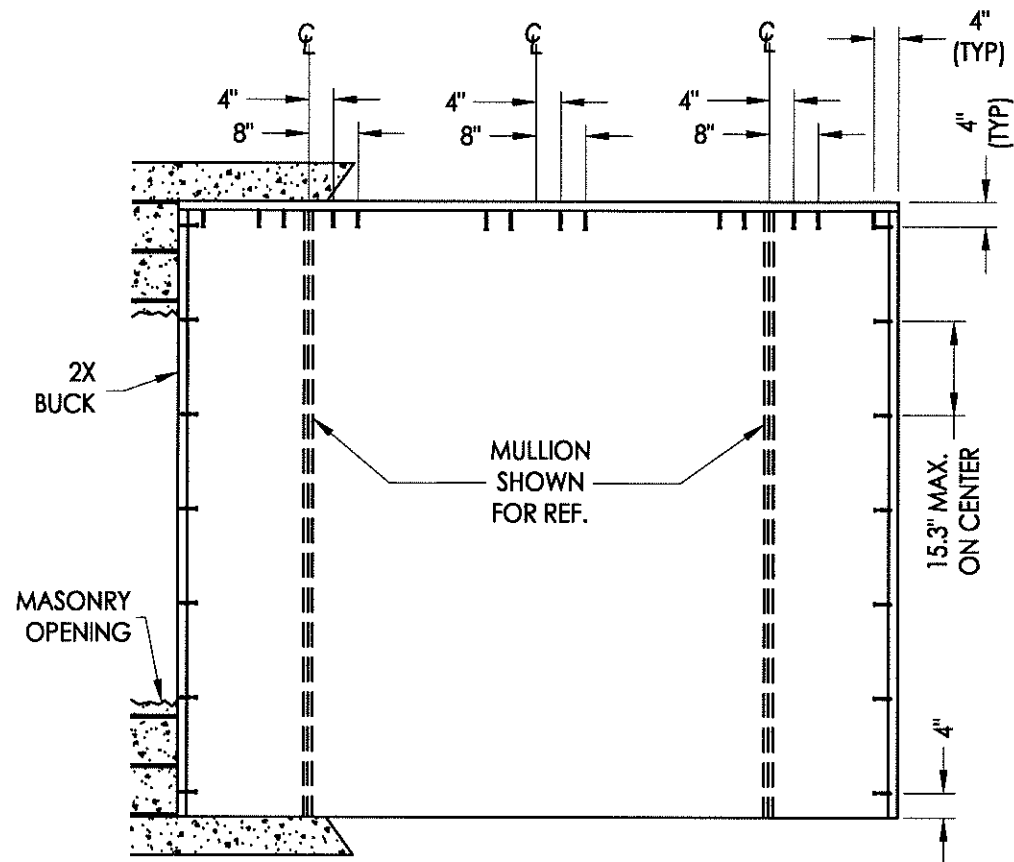
SHEET 8 of 12

Documents Prepared By:

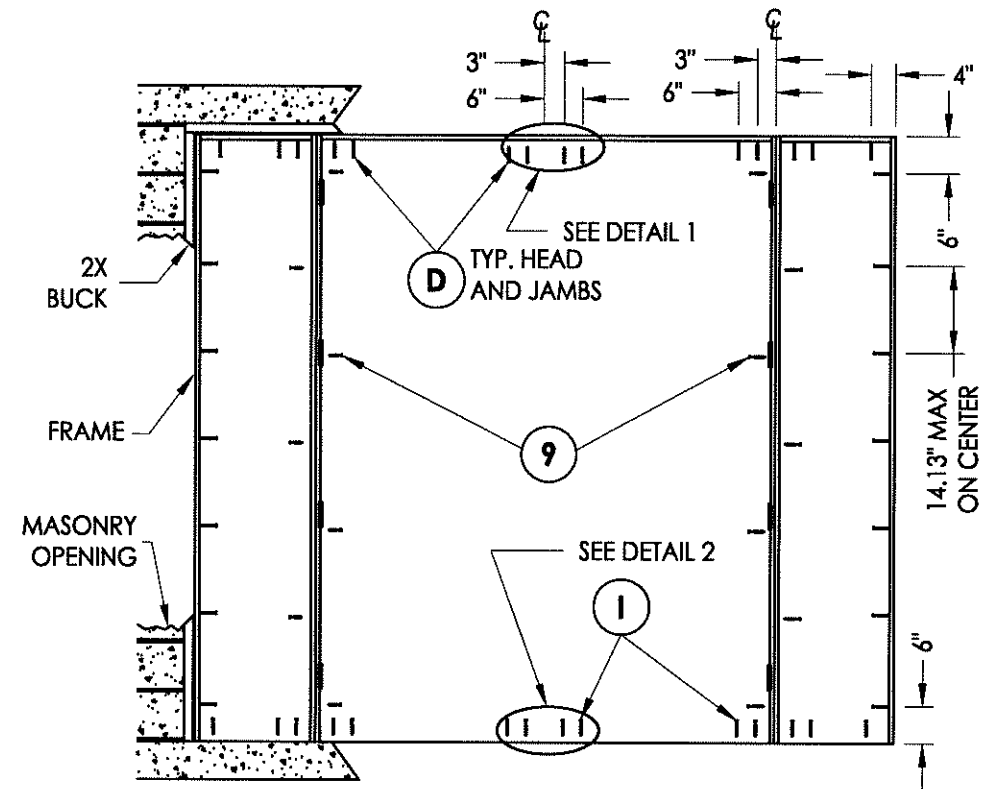
**RW** BUILDING CONSULTANTS, INC.  
P.O. Box 230 Valrico FL 33595  
Phone No.: 813.659.9197  
Florida Board of Professional Engineers  
Certificate of Authorization No. 9813  
10.25.12  
Lyndon F. Schmidt, P.E. No. 43409



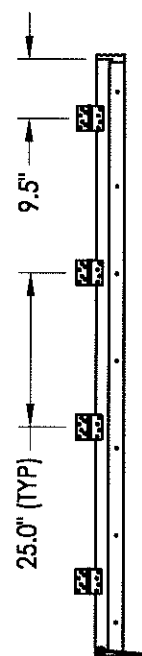
R:\VA - Projects\Project Folders\proj\_1401-1500\PF 1482\DWG Drawings\FL-13137\FL-13137.dwg, 9.3



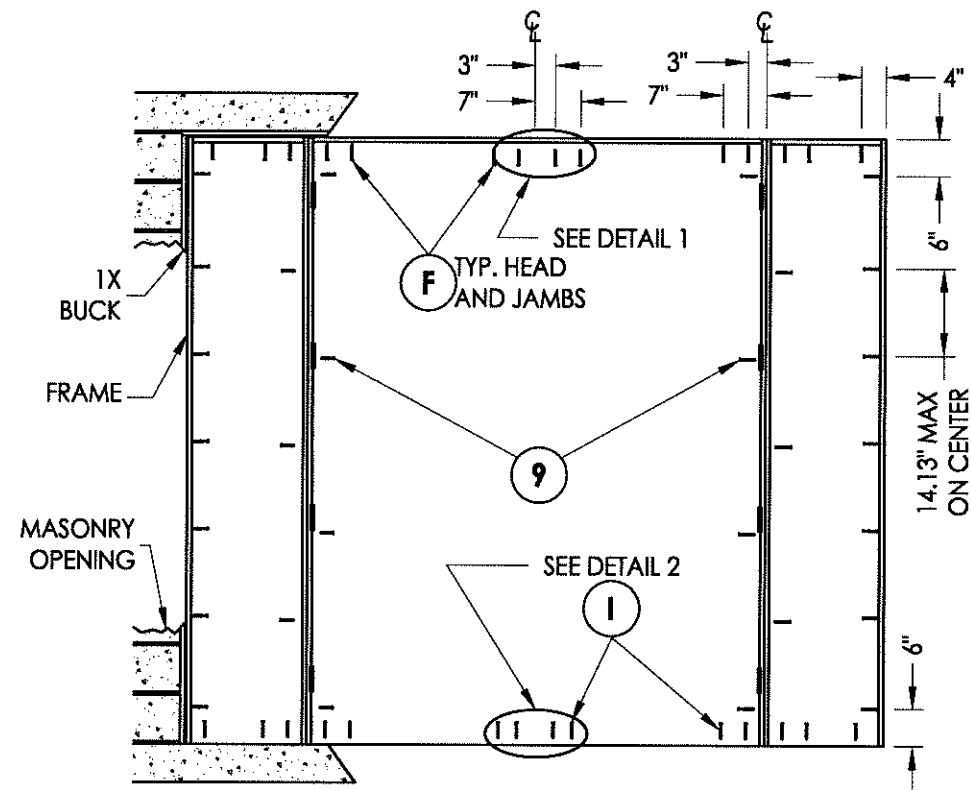
**HINGE JAMB**



**FRAME ANCHORING**  
Masonry construction  
2X buck

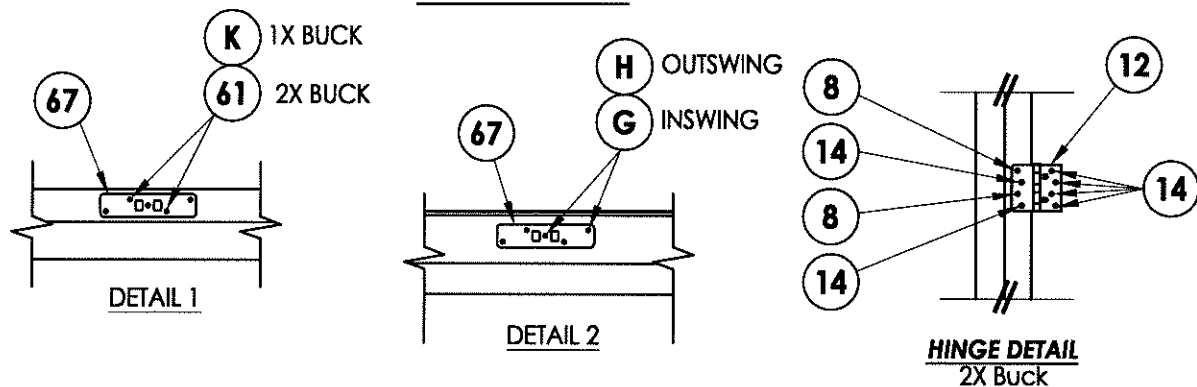


**HINGE JAMB**



**FRAME ANCHORING**  
Masonry construction  
1X buck

**BUCK ANCHORING**



**CONCRETE ANCHOR NOTES:**

1. Substitution of equal concrete anchors from a different supplier may have different edge distance and center distance requirements.
2. Concrete anchor locations at the corners may be adjusted to maintain the min. edge distance to mortar joints. If concrete anchor locations noted as "MAX. ON CENTER" must be adjusted to maintain the min. edge distance to mortar joints, additional concrete anchors may be required to ensure the "MAX. ON CENTER" dimensions are not exceeded.
3. Concrete anchor table:

ANCHOR TYPE	ANCHOR SIZE	MIN. EMBEDMENT	MIN. CLEARANCE TO MASONRY EDGE	MIN. CLEARANCE TO ADJACENT ANCHOR
ITW	1/4"	1-1/4"	2-1/2"	3"
ELCO	1/4"	1-1/4"	1"	4"
ITW	3/16"	1-1/4"	2-5/8"	2-1/4"

Documents Prepared By:

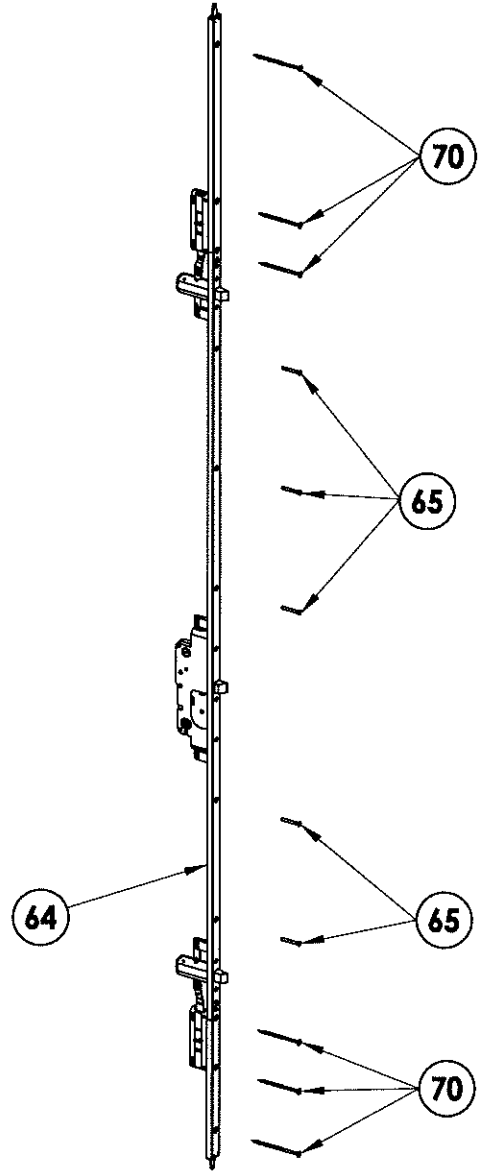
**RW BUILDING CONSULTANTS, INC.**  
P.O. Box 230 Valrico FL 33595  
Phone No.: 813.659.9197  
Florida Board of Professional Engineers  
Certificate of Authorization No. 9813  
Lyndon F. Schmidt, P.E. No. 43409

PRODUCT: ROGUE VALLEY DOOR

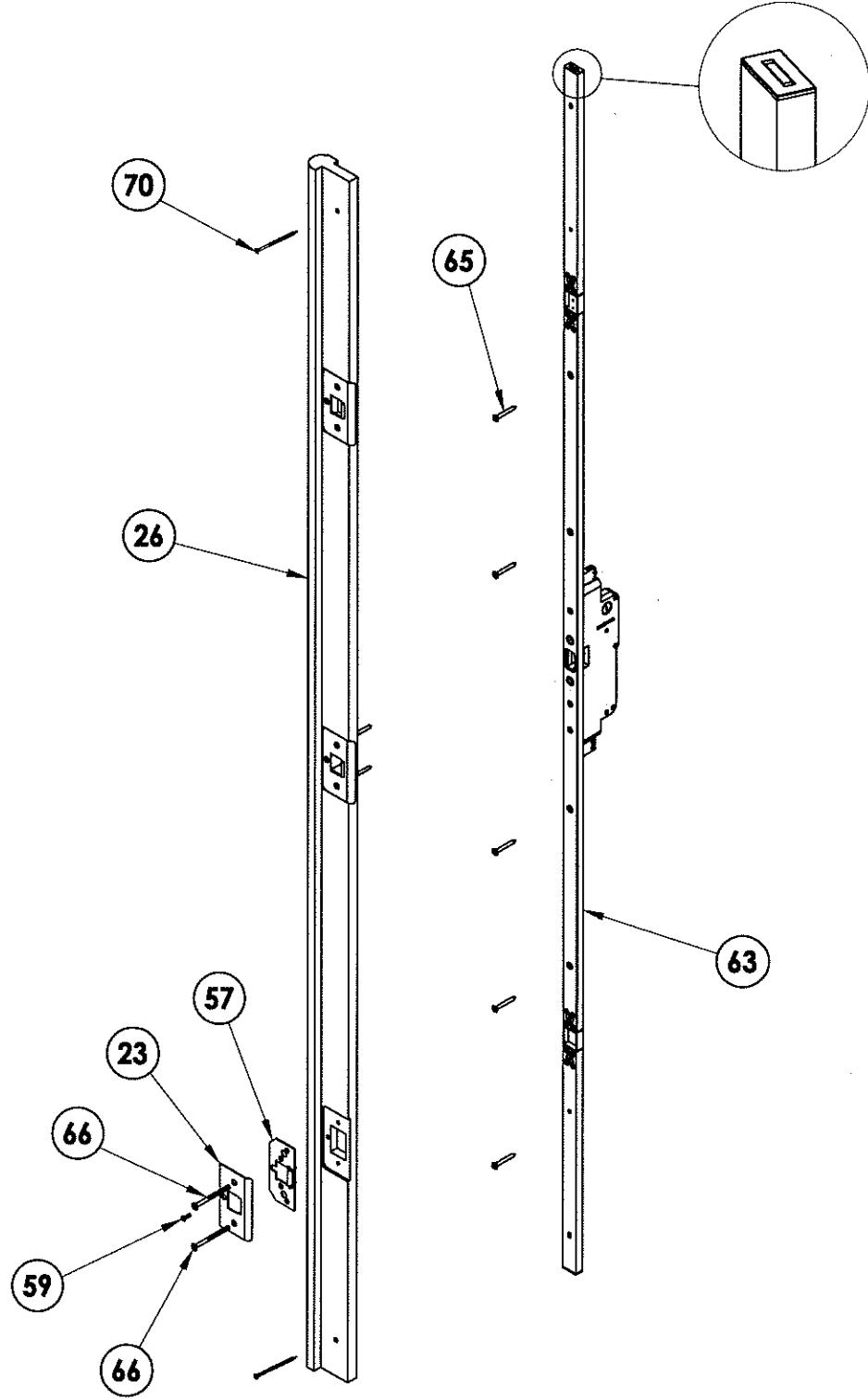
PART OR ASSEMBLY:  
BUCK AND FRAME ANCHORING (OXXO)

NO.	DATE	BY	REVISIONS
1	10/25/12	LFS	UPDATE TO 2010 FBC

DATE: 10/06/09  
SCALE: N.T.S.  
DWG. BY: JK  
CHK. BY: LFS  
DRAWING NO.: FL-13137.3  
SHEET 9 OF 12



**5 POINT LOCK DETAIL**  
W & F Trilennium

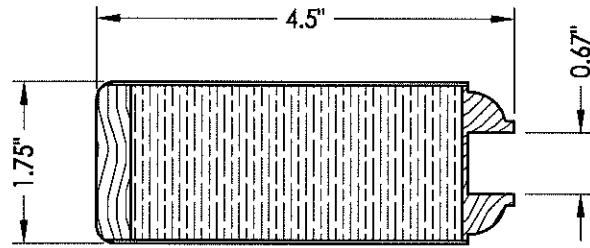


**ASTRAGAL DETAIL**

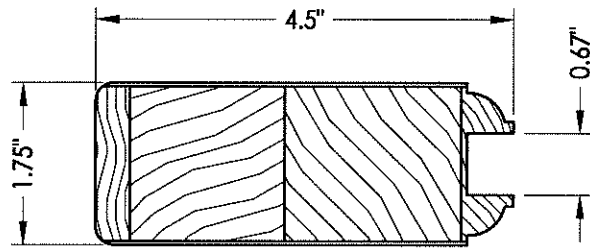
Documents Prepared By: <b>RW</b> BUILDING CONSULTANTS, INC. P.O. Box 230 Valrico FL 33595 Phone No.: 813.659.9197 Florida Board of Professional Engineers Certificate Of Authorization No. 9813 <i>LFS 10.25.12</i> Lyndon F. Schmidt, P.E. No. 43409	
PRODUCT: ROGUE VALLEY DOOR	PART OR ASSEMBLY: LOCK DETAILS
NO. DATE 1 10/25/12 UPDATE TO 2010 FBC	REVISIONS LFS BY
DATE: 10/06/09	SCALE: N.T.S.
DWG. BY: JK	CHK. BY: LFS
DRAWING NO.: FL-13137.3	SHEET 10 OF 12

R:\A - Projects\Project Folders\proj 1401-1500\PF 1482\D. RWBC Drawings\FL-13137\FL-13137.dwg, 11.3

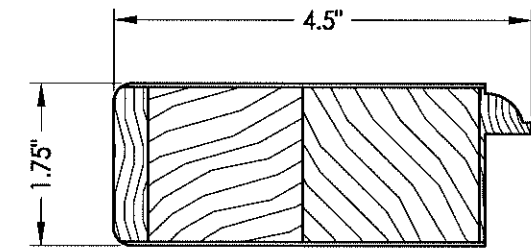
NOTE:  
 1. Pins are 5/8" x 5" centered half in the rail, half in the stile.  
 2. Door panel wood SG. >= 0.42



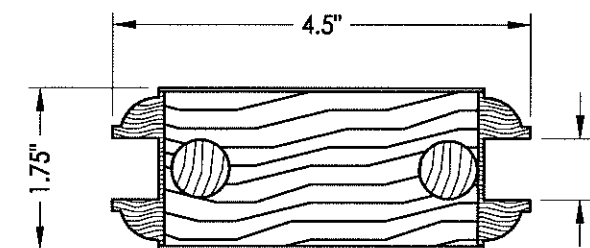
**54 HINGE AND LATCH STILE**  
 Panel infill  
 LVL



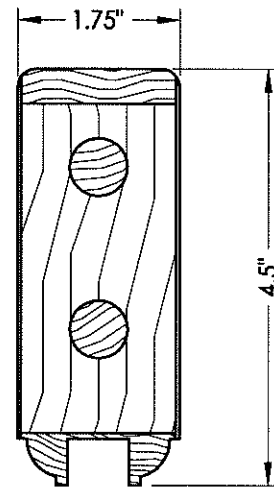
**54 HINGE AND LATCH STILE**  
 Panel infill



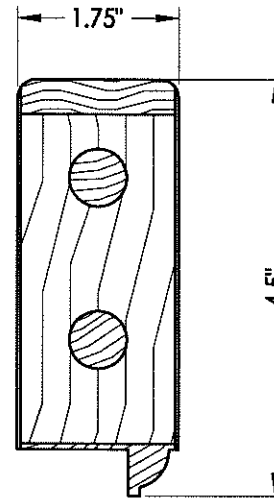
**54 HINGE AND LATCH STILE**  
 Glazed



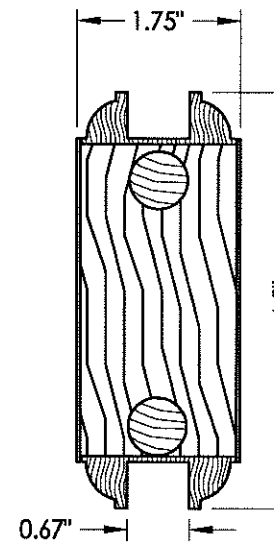
**55 MID STILE**



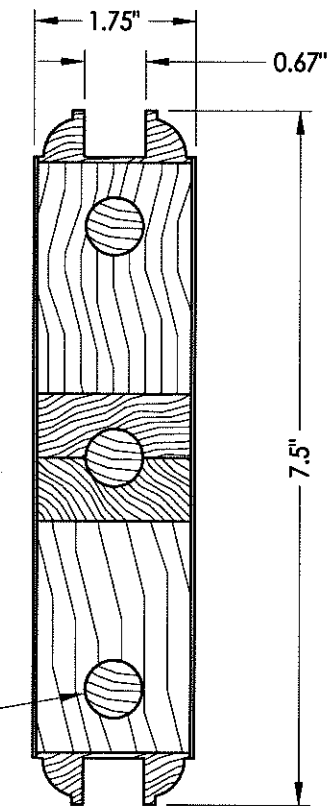
**51 TOP RAIL**  
 Panel infill



**51 TOP RAIL**  
 Glazed

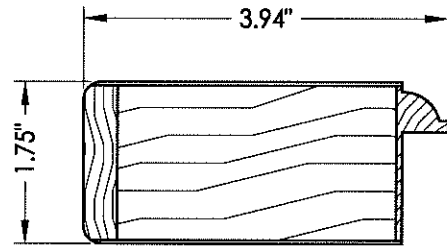


**58 MID RAIL**  
 Panel infill

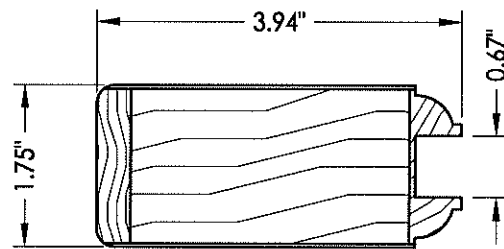


**52 LOCK RAIL**  
 Panel infill

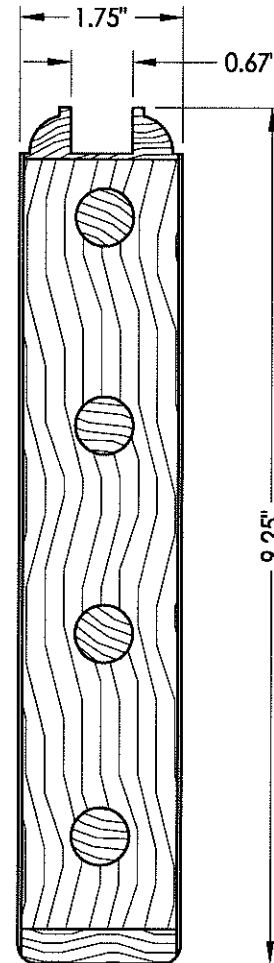
SEE NOTE 1  
 (TYP) **18**



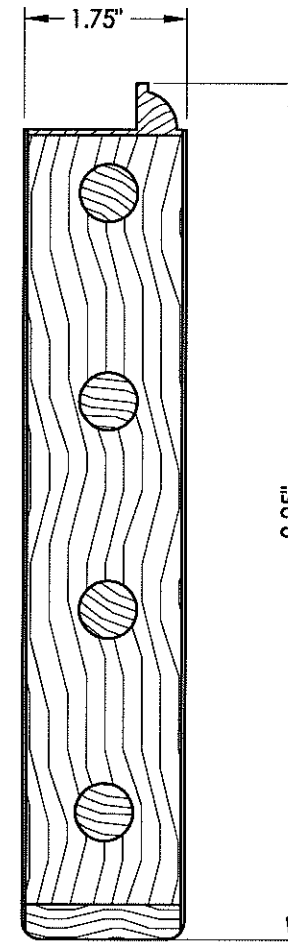
**37 SIDELITE STILE**  
 Glazed



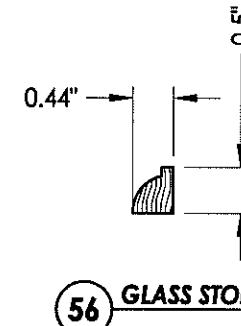
**37 SIDELITE STILE**  
 Panel infill



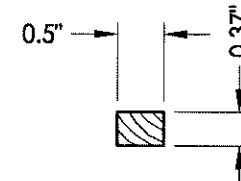
**53 BOTTOM RAIL**  
 Panel infill



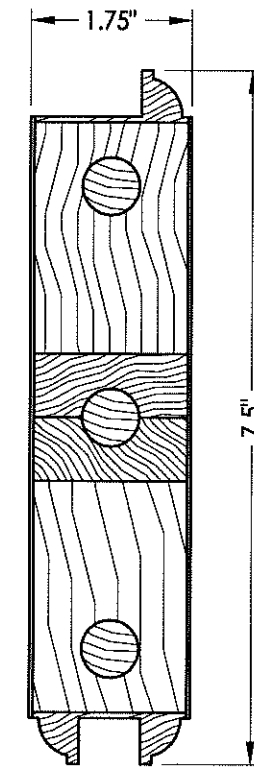
**53 BOTTOM RAIL**  
 Glazed



**56 GLASS STOP**



**21 PANEL STOP**



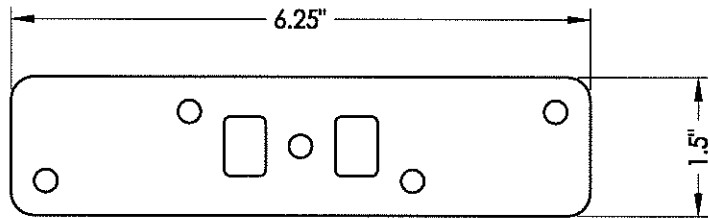
**52 LOCK RAIL**  
 Glazed

Documents Prepared By:		R.W. BUILDING CONSULTANTS, INC. P.O. Box 230 Valrico FL 33595 Phone No.: 813.659.9197 Florida Board of Professional Engineers Certificate Of Authorization No. 9813 Lyndon F. Schmidt, P.E. No. 43409	
PRODUCT:	ROGUE VALLEY DOOR	PART OR ASSEMBLY:	COMPONENTS
NO.	DATE	BY	REVISIONS
1	10/25/12	LFS	UPDATE TO 2010 FBC
DATE: 10/06/09		SCALE: N.T.S.	
DWG. BY: JK		CHK. BY: LFS	
DRAWING NO.: FL-13137.3		SHEET 11 OF 12	

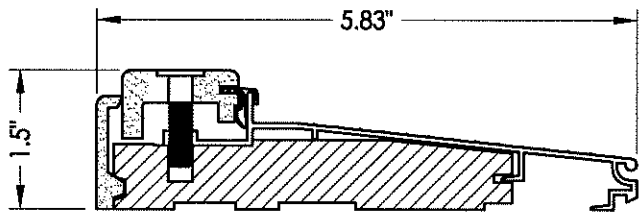
R:\VA - Projects\Project Folders\proj 1401-1500\PF 1482\ID. RWBC Drawings\FL-13137\FL-13137.dwg, 12.3

BILL OF MATERIALS		
ITEM #	DESCRIPTION	MATERIAL
A	1X BUCK SG >= 0.55	WOOD
B	2X BUCK SG >= 0.55	WOOD
C	1/4" MAX. SHIM SPACE	-
D	1/4" X 2-3/4" ELCO OR ITW CONCRETE SCREW	STEEL
E	MASONRY - 3,192 PSI MIN. CONCRETE CONFORMING TO ACI 301 OR HOLLOW BLOCK CONFORMING TO ASTM C90	CONCRETE
F	1/4" X 3-3/4" ELCO OR ITW CONCRETE SCREW	STEEL
G	3/16" X 2-3/4" ITW CONCRETE SCREW	STEEL
H	3/16" X 2-1/4" ITW CONCRETE SCREW	STEEL
I	1/4" X 2-1/4" ELCO OR ITW CONCRETE SCREW	STEEL
K	3/16" X 3-1/4" ITW CONCRETE SCREW	STEEL
1	DOOR HEADER AND JAMB 1-1/4" X 4-9/16" (SG => 0.42 PSF)	WOOD
4	SIDELITE HEADER AND JAMB 1-1/4" X 4-9/16" (SG => 0.42 PSF)	WOOD
7	WEATHERSTRIP	FOAM
8	#10 X 2-3/4" PFH WS	STEEL
9	#9 X 2" PFH WS	STEEL
12	HINGE	STEEL
14	1/4" X 3/4" PFH WS	STEEL
15	DOOR SWEEP	ALUM
16	#6 X 1/2" PPH WS	STEEL
17	PANEL INFIL	WOOD/COMP
18	5/8" DIA. X 5" PIN	WOOD
19	.375" GLAZING SPACER	ALUM
20	SEALANT	SILICONE
21	3/8" X 1/2" PANEL STOP	WOOD
22	1" BRAD	STEEL
23	MULTI-POINT STRIKE PLATE	STEEL
26	ASTRAGAL	WOOD
28	1/4" X 1" 16GA. STAPLE	STEEL
33	THRESHOLD (INSWING)	-
34	THRESHOLD (OUTSWING)	-
35	INSWING SIDELITE ADAPTER	-
37	SIDELITE STILE	WOOD
39	SIDELITE PANEL (FULL LITE)	-
40	SIDELITE PANEL (3/4 LITE)	-
41	DOOR PANEL (FULL LITE)	-
50	DOOR PANEL (OPAQUE)	-
51	TOP RAIL	WOOD
52	LOCK RAIL	WOOD
53	BOTTOM RAIL	WOOD
54	HINGE AND LATCH STILE	WOOD
55	MID STILE	WOOD
56	GLASS STOP	WOOD
57	BACKING PLATE	STEEL
58	MID RAIL	WOOD
59	#8 X 3/4" PFH MACHINE SCREW	STEEL

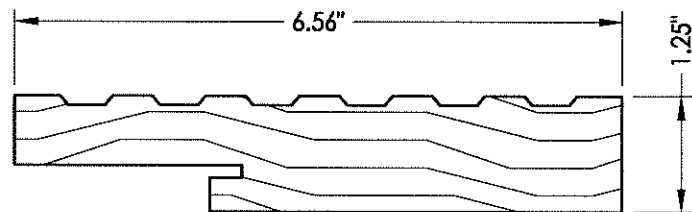
61	#10 X 2-1/2" PFH WOOD SCREW	STEEL
63	FLUSH BOLT LOCK ASSEMBLY	STEEL
64	LOCK ASSEMBLY 5 POINT LOCK (DOUBLE DOOR) W&F Trilennium	STEEL
65	#10 X 1-1/2" PFH WOOD SCREW	STEEL
66	#8 X 1-1/4" PFH MACHINE SCREW	STEEL
67	FLUSH BOLT STRIKE PLATE DOUBLE DOOR	STEEL
70	#14 X 3-1/2" FLAT SQUARE DRIVE WOOD SCREW	STEEL



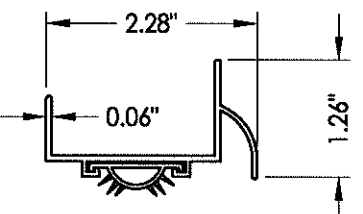
67 STRIKE PLATE  
Flush bolt



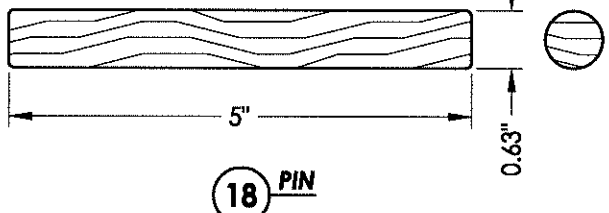
33 INSWING THRESHOLD



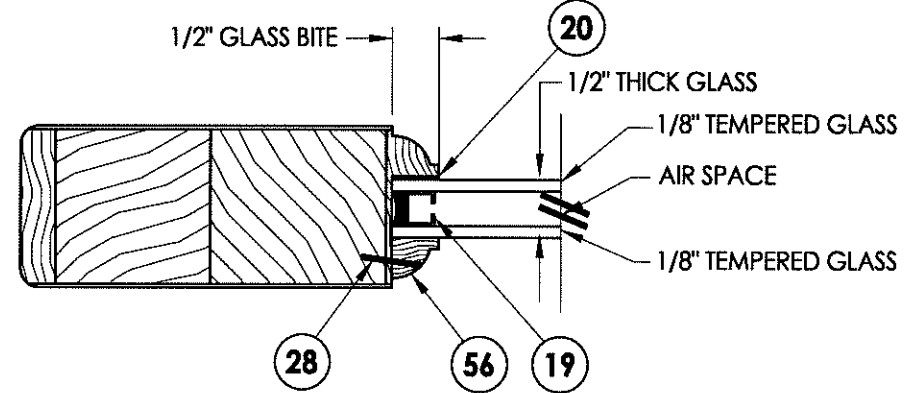
1 4 DOOR JAMB



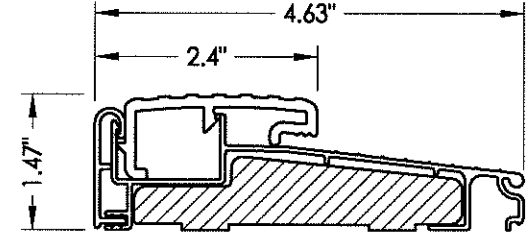
15 DOOR SWEEP



18 PIN



G1 GLAZING DETAIL



34 OUTSWING THRESHOLD

Documents Prepared By:  
**RW** BUILDING CONSULTANTS, INC.  
 P.O. Box 230 Valrico FL, 33595  
 Phone No.: 813.659.9197  
 Florida Board of Professional Engineers  
 Certificate of Authorization No. 9813  
 Lyndon F. Schmidt, P.E. No. 43409

PRODUCT: ROGUE VALLEY DOOR

PART OR ASSEMBLY: BILL OF MATERIALS, COMPONENTS AND GLAZING DETAIL

NO.	DATE	REVISIONS
1	10/25/12	UPDATE TO 2010 FBC
		LFS
		BY

DATE: 10/06/09  
 SCALE: N.T.S.  
 DWG. BY: JK  
 CHK. BY: LFS  
 DRAWING NO.: FL-13137.3  
 SHEET 12 OF 12

© 2009 R.W. BUILDING CONSULTANTS INC.